

20 Tons 44000 lbs Air Winch

Key features

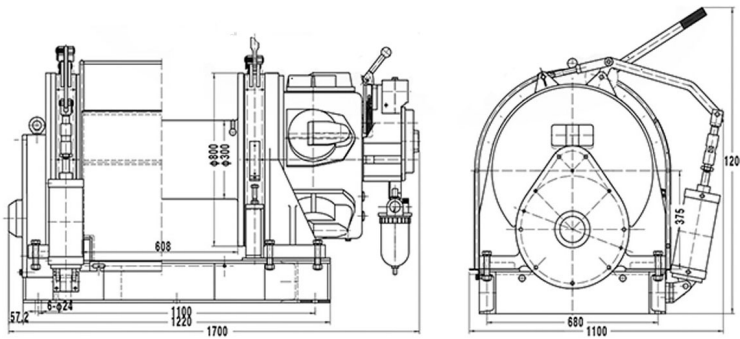
- High Load Capacity: Capable of lifting or pulling up to 20 tons (44,000 lbs), suitable for extremely heavy-duty industrial applications.
- Air-Powered Operation: Operates on compressed air, ideal for environments where electric power is impractical or unsafe.
- Heavy-Duty Construction: Built with robust materials and engineering to handle the demands of high-capacity lifting and pulling tasks.
- 3 Year Warranty, Customer Support and Service in the USA

Winch Description

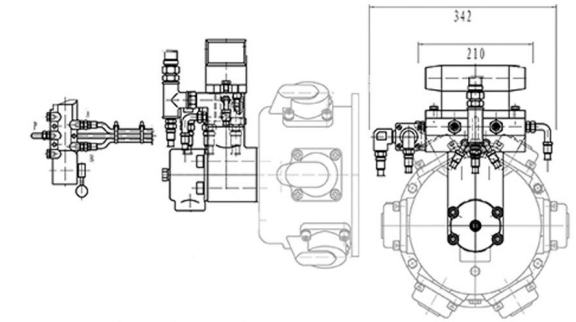
This high-capacity air winch provides a robust 20-ton (44,000 lbs) lifting capability. Powered by compressed air, it is designed for heavy-duty industrial applications, ensuring reliable and efficient performance for demanding lifting and pulling tasks. Ideal for environments where powerful, air-driven equipment is required.

Technical Specifications

1st Layer Rated Capacity	44092 lb / 20000 kg	Recommended Wire Rope	ø 1 in (x 820 ft) / ø 25.4 mm (x 250 m)
Speed (f/m) / min	0~19.6 ft / 0~6 m	Humidity	≤90%
Number of Speeds	Variable Speed	Standards Compliance	ASME B30.7/GB/T5359-2010/ANSI/EN 14492-1
Control	Lever Throttle / Palanca de Aceleración	Warranty	3 Year



OPTIONAL / OPCIONAL



Dimensions in mm / Dimensiones en mm

RR-W-410E 7 / 6x19/6x26 EIPS Fiber Core / Alma de Fibra
Rope Diameter / Diámetro del Cable: 1 in | 25.4 mm

Nominal Strength / Resistencia Nominal: 100780 lb / 45710kg

Rope Weight x ft / Peso del cable x m: 1.85 lb / 2.8 kg

INCLUDED / INCLUIDO	Layer / Capa	Rope on drum / Mts x Capa	Lifting x layer / Cap x Capa	Speed / Velocidad (per min)
	1	74 ft / 23 m	44020 lb / 20000 kg	25.5 ft / 7.80 m
	2	159 ft / 48 m	38360 lb / 17400 kg	29.3 ft / 8.90 m
	3	255 ft / 78 m	33950 lb / 15400 kg	33.1 ft / 10.1 m
	4	362 ft / 110 m	30440 lb / 13810 kg	36.9 ft / 11.3 m
	5	481 ft / 146 m	27600 lb / 12520 kg	40.7 ft / 12.4 m
	6	610 ft / 186 m	25240 lb / 11450 kg	44.6 ft / 13.6 m
	7	750 ft / 229 m	23250 lb / 10540 kg	48.4 ft / 14.7 m
	8	902 ft / 275 m	21550 lb / 9770 kg	52.2 ft / 15.9 m

Unit Weight & Dimensions

Total Unit Weight 3969 lbs / 1801 Kg

Packaging Weight & Dimensions

Package 1 Net Weight 3969 lbs / 1801 Kg

Package 1 Width 82 in / 208.28 cm

Package 1 Gross Weight 5799 lbs / 2631 Kg

Package 1 Height 64 in / 162.56 cm

Package 1 Length 39 in / 99.06 cm