

12 Tons 26400 lbs Air Winch 3 Brakes



Key features

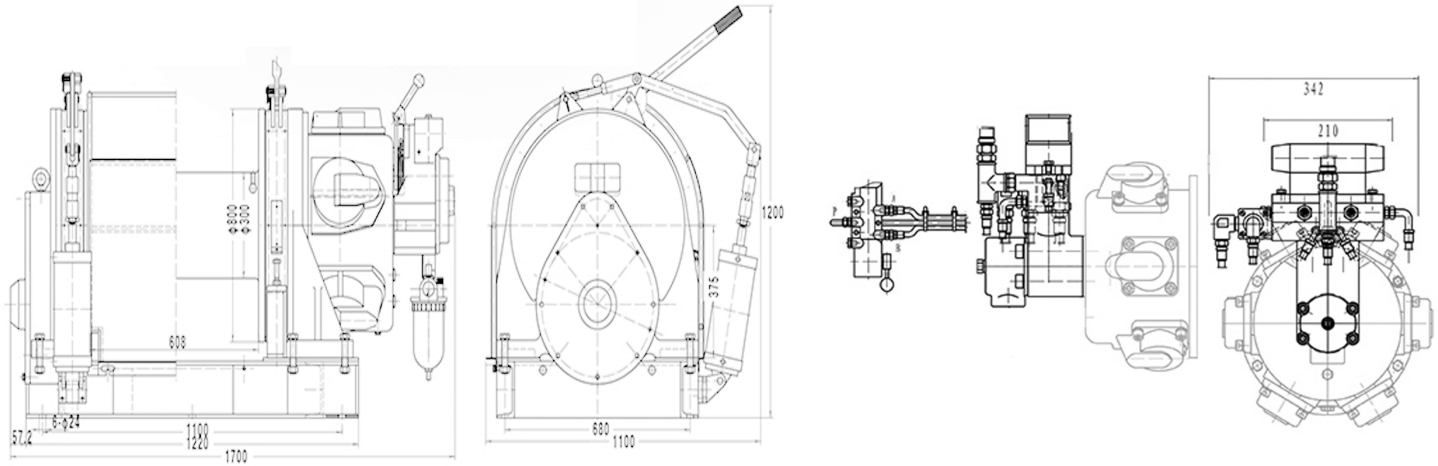
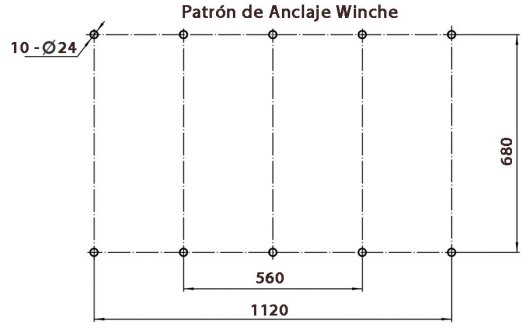
- High Load Capacity: Capable of lifting or pulling up to 12 tons (26,400 lbs), suitable for heavy-duty industrial and commercial tasks.
- Air-Powered Operation: Utilizes compressed air for operation, making it ideal for environments where electric power is not available or is unsafe.
- Durable Construction: Constructed with high-strength materials to withstand tough conditions and ensure long-lasting performance.
- 3 Year Warranty, Customer Support and Service in the USA

Winch Description

This air-powered winch offers a 12-ton (26,400 lbs) capacity, designed for heavy-duty lifting and pulling tasks. Powered by compressed air, it ensures reliable and efficient operation in demanding industrial environments, making it ideal for robust applications where durability and performance are key.

Technical Specifications

| | | | |
|---------------------------------|---|------------------------------|--|
| 1st Layer Rated Capacity | 26455 lb / 12000 kg | Recommended Wire Rope | ø 1 in (x 574 ft) / ø 26 mm (x 175 m) |
| Speed (f/m) / min | 1.64 ft / 0-5.6 m | Humidity | ≤90% |
| Number of Speeds | Variable Speed | Standards Compliance | ASME B30.7/GB/T5359-2010/ANSI/EN 14492-1 |
| Control | Lever Throttle / Palanca de Aceleración | Warranty | 3 Year |



Unit Weight & Dimensions

| | |
|--------------------------|-------------------|
| Total Unit Weight | 1653 lbs / 750 Kg |
|--------------------------|-------------------|

Packaging Weight & Dimensions

| | |
|-------------------------------|-------------------|
| Package 1 Net Weight | 1653 lbs / 750 Kg |
| Package 1 Width | 47 in / 119.38 cm |
| Package 1 Gross Weight | 1874 lbs / 850 Kg |
| Package 1 Height | 51 in / 129.54 cm |