



## Pneumatic Winch 12 Tons 2 Brakes

### Key features

- High Load Capacity: Capable of lifting or pulling up to 12 tons (24,000 lbs), ideal for heavy-duty industrial applications.
- Pneumatic Operation: Powered by compressed air, perfect for hazardous environments where electricity cannot be used.
- Durable Construction: Built with heavy-duty materials to ensure longevity and reliable performance under demanding conditions.
- 3 Year Warranty, Customer Support and Service in the USA

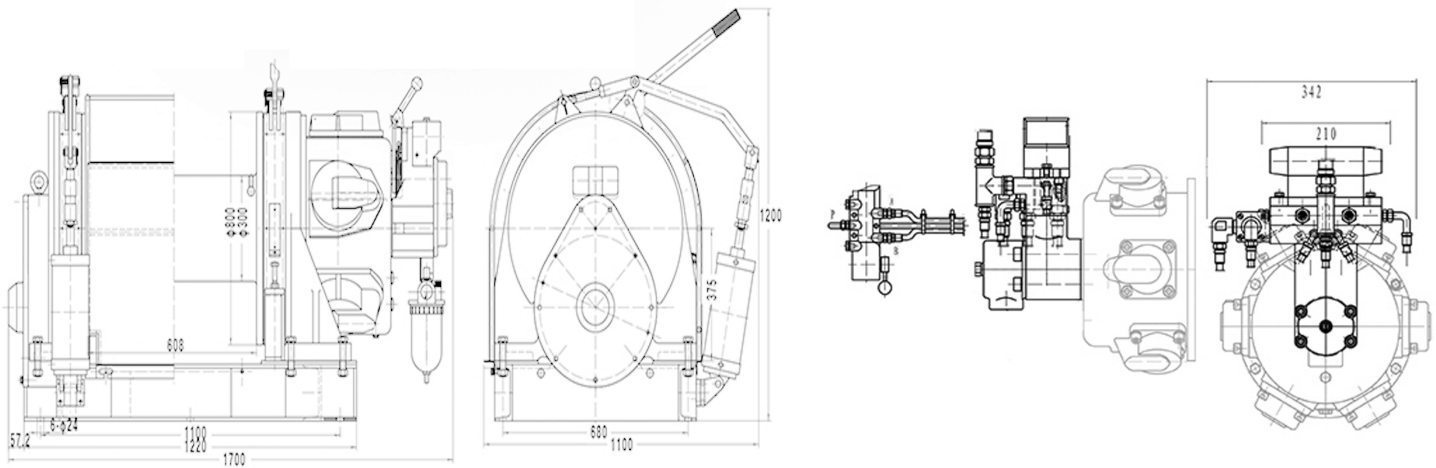
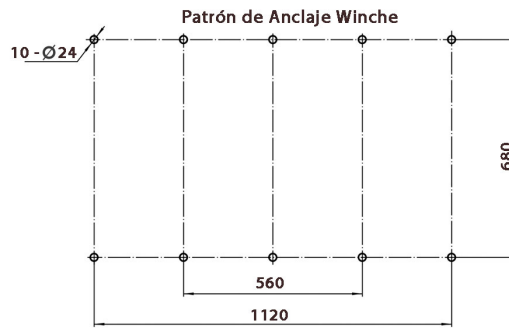
### Winch Description

This pneumatic winch offers a 12-ton lifting capacity, powered by compressed air for robust and reliable performance. Designed for heavy-duty applications, it provides smooth operation and is ideal for demanding industrial lifting and pulling tasks in environments where air power is preferred.

## Technical Specifications

<b>1st Layer Rated Capacity</b>	26455 lb / 12000 kg	<b>Recommended Wire Rope</b>	ø 15/16 in (x 656 ft) / ø 24 mm (x 200 m)
<b>Speed (f/m) / min</b>	40~80 ft/ 12~24 m	<b>Humidity</b>	≤90%
<b>Number of Speeds</b>	Variable Speed	<b>Standards Compliance</b>	ASME B30.7/GB/T5359-2010/ANSI/EN 14492-1
<b>Control</b>	Lever Throttle / Palanca de Aceleración	<b>Warranty</b>	3 Year

Mando con Parada de Emergencia Separados del Winche (5 metros)



## Unit Weight & Dimensions

**Total Unit Weight** 1653 lbs / 750 Kg

## Packaging Weight & Dimensions

**Package 1 Net Weight** 1653 lbs / 750 Kg

**Package 1 Width** 47 in / 119.38 cm

**Package 1 Gross Weight** 1874 lbs / 850 Kg

**Package 1 Height** 51 in / 129.54 cm

**Package 1 Length**

39 in / 99.06 cm