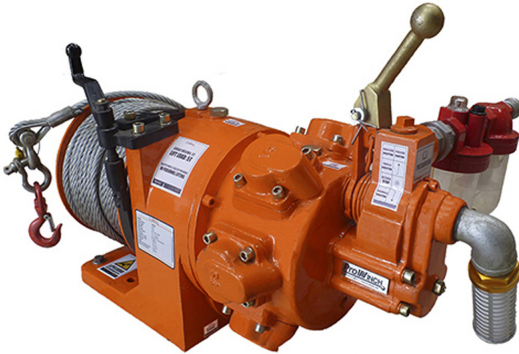


1 Ton 2200 lbs Air Winch

Key features

- Load Capacity: Capable of lifting or pulling up to 1 ton (2,200 lbs), suitable for heavy-duty industrial tasks.
- Air-Powered Operation: Uses compressed air for operation, ideal for environments where electric or hydraulic power is not feasible.
- Durable Construction: Built with high-quality, heavy-duty materials for strength, durability, and long-term performance.
- 3 Year Warranty, Customer Support and Service in the USA

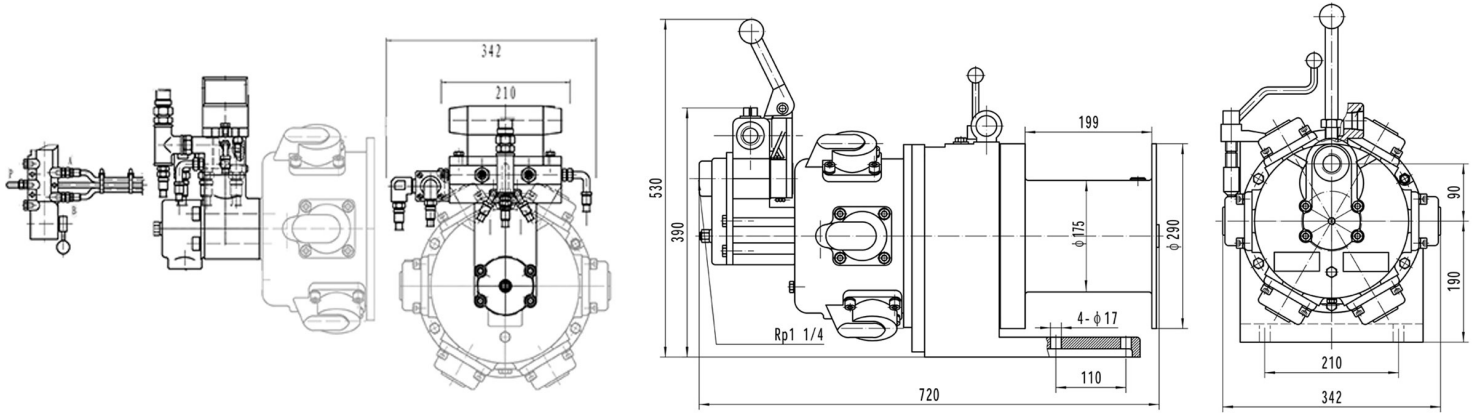


Winch Description

This 1 Ton Air Winch offers a 2,200 lbs lifting capacity, powered by compressed air for smooth and reliable performance. Ideal for heavy-duty applications, it delivers efficient and safe operation in demanding environments, making it suitable for lifting and pulling tasks where air power is preferred.

Technical Specifications

1st Layer Rated Capacity	2205 lb / 1000 kg	Wire Rope Recommended	ø 3/8 in (x 165 ft) / ø1 0 mm (x 50 m)
Speed (f/m) / min	0~78 ft / 0~24 m	Humidity	≤90%
Number of Speeds	Variable Speed	Standards Compliance	ASME B30.7/GB/T5359-2010/ANSI/EN 14492-1
Control Included	Lever Throttle / Palanca de Aceleración	Warranty	3 Year



Dimensions in mm / Dimensiones en mm

SERVICE FACTOR / FACTOR DE SERVICIO			
► SERVICE/SERVICIO	► LOAD / CARGA	► TIME / TIEMPO	► MAINTENANCE (Months) / MANTENIMIENTO (meses)
Normal	< 65%	< 25%	6 ~ 12
Heavy / Pesado	> 65%	> 25%	3 ~ 6
Severe / Severo	Abnormal Conditions En condiciones Anormales Environmental, Geographical y Risky Ambientales, Geográficas y Riesgosas	< 100% < Duty Cycle limit < Limite Ciclo de Trabajo	1 ~ 3

INCLUDED/INCLUIDO	Rope Diameter / Diámetro del Cable:	3/8 in 10 mm		
	Nominal Strength / Resistencia Nominal:	14718 lb / 6676 kg		
	Rope Weight x ft / Peso del cable x m:	0.8 lb / 0.4 kg		
	Layer / Capa	Rope on drum / Mts x Capa	Lifting x layer / Cap x Capa	Speed / Velocidad (per min)
	1	32 ft / 10 m	2205 lb / 1000 kg	68 ft / 20.7 m
	2	68 ft / 21 m	1983 lb / 899 kg	75.6 ft / 23.1 m
3	108 ft / 33 m	1801 lb / 817 kg	83.2 ft / 25.4 m	
4	151 ft / 46 m	1651 lb / 749 kg	90.8 ft / 27.7 m	
5	262 ft / 80 m	1523 lb / 691 kg	98.5 ft / 30 m	

Unit Weight & Dimensions

Total Unit Weight	220 lbs / 100 Kg
--------------------------	------------------

Packaging Weight & Dimensions

Package 1 Net Weight	220 lbs / 100 Kg
Package 1 Width	39 in / 99.06 cm
Package 1 Gross Weight	220 lbs / 100 Kg
Package 1 Height	39 in / 99.06 cm
Package 1 Length	39 in / 99.06 cm