



## Permanent Magnetic Lifter 2200 lb. / 1000 kg

### Key features

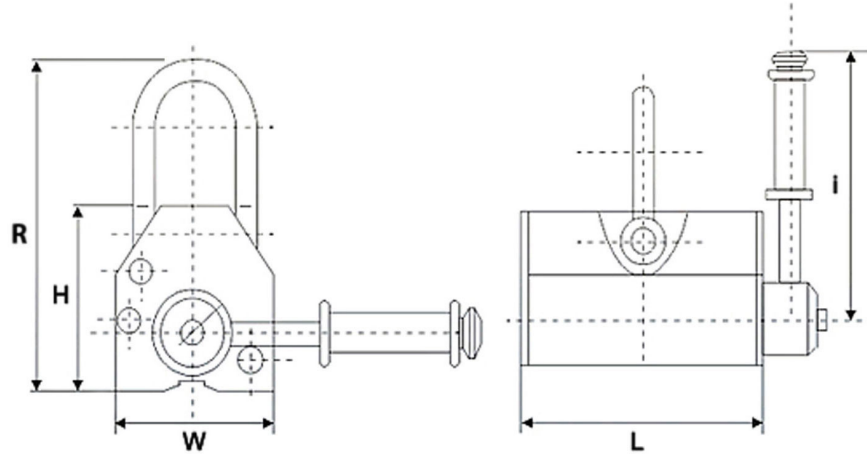
- Load Capacity: Capable of lifting up to 2200 lbs (1000 kg), making it suitable for heavy-duty applications.
- Permanent Magnet Technology: Utilizes powerful permanent magnets to securely grip ferrous materials, ensuring reliable performance.
- Robust Construction: Built from high-quality materials to provide durability and long-lasting performance in demanding environments.
- 3 Year Warranty, Customer Support and Service in the USA

### Permanent Magnetic Lifter Description

The Permanent Magnetic Lifter is a high-capacity lifting tool designed to safely handle ferrous materials with an impressive lifting capacity of 2200 lbs (1000 kg). Ideal for industrial environments, this lifter ensures secure and efficient movement of heavy loads without the need for external power sources.

### Technical Specifications

<b>Rated Load Capacity</b>	2200 lb / 1000 kg   Max. pull off: 6600 lb / 3000 kg	<b>Warranty</b>	3 Year
<b>Operating Temperature Range</b>	<176°F / 80°C		



Model/Modelo	PWML100	PWML400	PWML600	PWML1000	PWML2000	PWML3000	PWML4000	PWML5000
Size / Tamaño								
L	4 in / 90 mm	6 in / 160 mm	9 in / 220 mm	10 in / 260 mm	13 in / 340 mm	17 in / 420 mm	19 in / 480 mm	23 in / 580 mm
W	3 in / 63.5 mm	4 in / 95 mm	5 in / 115 mm	6 in / 145 mm	6 in / 160 mm	7 in / 185 mm	8 in / 200 mm	12 in / 300 mm
H	3 in / 68 mm	7 in / 180 mm	5 in / 125 mm		6 in / 165 mm			
R	6 in / 145 mm	8 in / 210 mm	9 in / 230 mm	11 in / 280 mm	16 in / 410 mm	20 in / 510 mm		26 in / 650 mm
Magnet Activation	Locking ON/OFF Handle							
Activación del magneto	Palanca ON/OFF							

### Unit Weight & Dimensions

<b>Total Unit Weight</b>	81 lbs / 37 Kg
--------------------------	----------------

### Packaging Weight & Dimensions

<b>Package 1 Net Weight</b>	81 lbs / 37 Kg
<b>Package 1 Width</b>	11 in / 27.94 cm
<b>Package 1 Gross Weight</b>	88 lbs / 40 Kg
<b>Package 1 Height</b>	9 in / 22.86 cm
<b>Package 1 Length</b>	16 in / 40.64 cm