



5 Ton Adjustable Telescoping Gantry Crane 11~15 ft Height 8 ft Span **MADE IN USA**

Key features

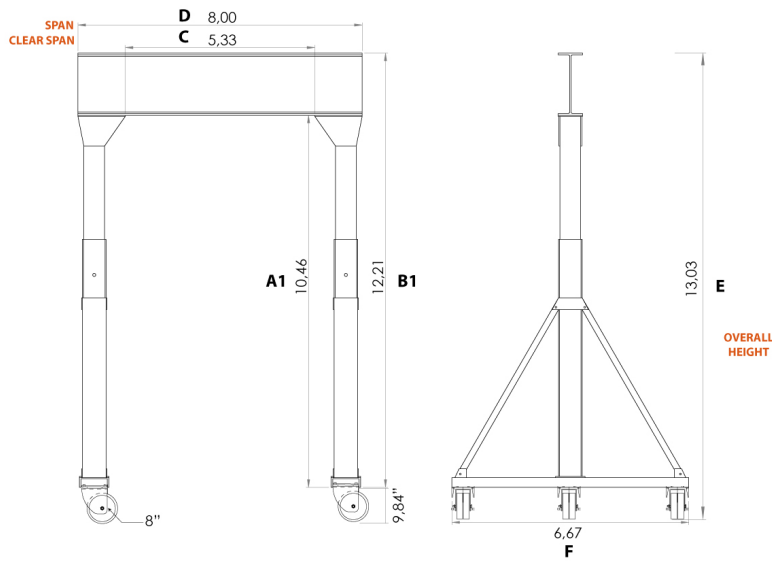
- Load Capacity: Supports up to 5 tons, perfect for heavy lifting requirements.
- Adjustable Height: Telescoping design allows for height adjustments between 11 and 15 feet to accommodate different needs.
- Durable Construction: Built with high-quality materials for stability and long-lasting performance.
- Super-strong swivel casters (all locking) with rubber for smooth rolling
- 3 Year Warranty, Customer Support and Service in the USA

Adjustable Telescoping Gantry Crane Description

The 5 Ton Adjustable Telescoping Gantry Crane is a versatile and robust lifting solution designed to support loads of up to 5 tons. With an adjustable height range of 11 to 15 feet and an 8-foot span, this crane is ideal for various industrial and workshop applications. Proudly made in the USA, it combines durability and flexibility to enhance efficiency in material handling tasks.

Technical Specifications

Rated Load Capacity	5 ton	Material	Steel
I-Beam Height	21 in	Design Factor	4:1
Overall SPAN	8 ft	I-Beam Width Range	8.24 in
Clear SPAN	6 ft	Made in	USA
HUB Height Under The Beam	11 to 15 ft	Warranty	3 Year



MODEL	PWMG5T-S8-H11-15a
A1	10,46 ft
B1	12,21 ft
C	5,5 ft
D	8,0 ft
E	13,03 ft
A2	12,21 ft
B2	15,03 ft
F	6,6 ft
G	15,82 ft

