



5 Ton Adjustable Telescoping Gantry Crane 11~15 ft Height 12 ft Span **MADE IN USA**

Key features

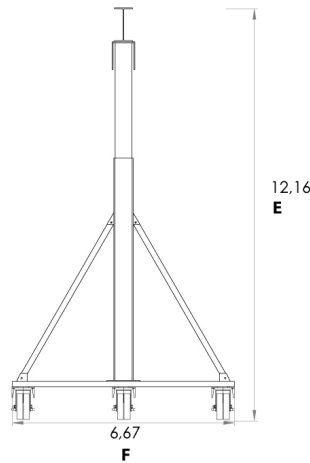
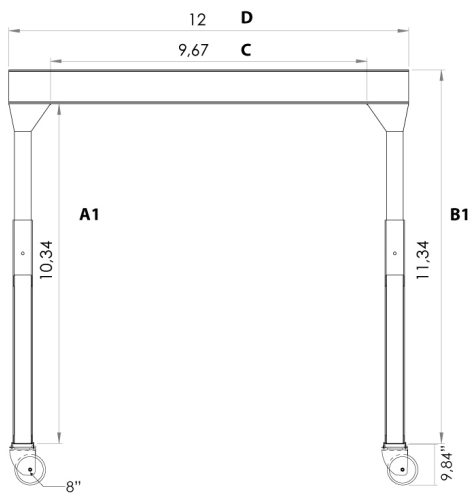
- Load Capacity: Supports up to 5 tons, ideal for heavy lifting requirements.
- Durable Construction: Built with high-quality materials for stability and long-lasting performance.
- Adjustable Height: Telescoping design allows for height adjustments between 11 and 15 feet to suit different needs.
- Super-strong swivel casters (all locking) with rubber for smooth rolling
- 3 Year Warranty, Customer Support and Service in the USA

Adjustable Telescoping Gantry Crane Description

The 5 Ton Adjustable Telescoping Gantry Crane is a robust lifting solution designed to support loads of up to 5 tons. With an adjustable height range of 11 to 15 feet and a 12-foot span, this crane is perfect for various industrial and workshop applications. Proudly made in the USA, it combines durability and versatility to enhance efficiency in material handling tasks.

Technical Specifications

Rated Load Capacity	5 ton	Material	Steel
I-Beam Height	21 in	Design Factor	4:1
Overall SPAN	12 ft	I-Beam Width Range	8.24 in
Clear SPAN	10 ft	Made in	USA
HUB Height Under The Beam	11 to 15 ft	Warranty	3 Year



MODEL	PWMG5T-S12-H11-15a
A1	10,34 ft
B1	11,34 ft
C	9,6 ft
D	12 ft
E	12,16 ft
A2	14,34 ft
B2	15,34 ft
F	6,67 ft
G	16,16 ft

