



1 Ton Adjustable Telescoping Gantry Crane 10~14 ft Height 12 ft Span **MADE IN USA**

Key features

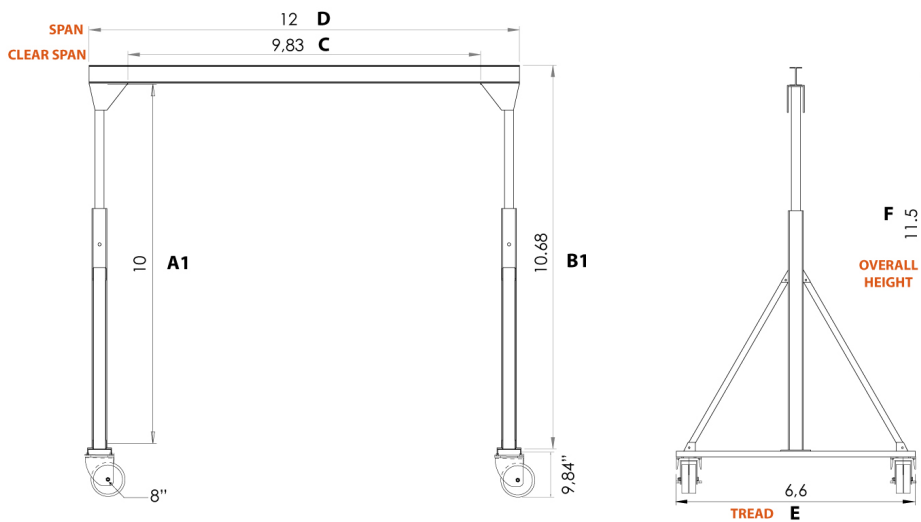
- Load Capacity: Supports up to 1 ton, making it suitable for a variety of lifting tasks.
- Durable Construction: Made with high-quality materials for enhanced strength and long-lasting performance.
- Adjustable Height: Telescoping design allows height adjustments from 10 to 14 feet to fit different needs.
- 3 Year Warranty, Customer Support and Service in the USA

Adjustable Telescoping Gantry Crane Description

The 1 Ton Adjustable Telescoping Gantry Crane is a versatile and durable lifting solution designed for heavy-duty applications. With a height range adjustable from 10 to 14 feet and a 12-foot span, this crane is ideal for various industrial and workshop settings. Proudly made in the USA, it combines exceptional quality with user-friendly features for efficient material handling.

Technical Specifications

Rated Load Capacity	1 ton	Material	Steel
I-Beam Height	6 in	Design Factor	4:1
Overall SPAN	12 ft	I-Beam Width Range	4 in
Clear SPAN	10 ft	Made in	USA
HUB Height Under The Beam	10 to 13 ft	Warranty	3 Year



MODEL	PWMG1T-S12-H10-14a
A1	10 ft
B1	10,68 ft
C	9,83
D	12 ft
E	6,6 ft
A2	14 ft
B2	14,68 ft
F	11,5ft
G	15,5 ft

