



3 ton Electric Wire Rope Hoist 30 mts. 4 ways 2 Speed H3 Duty Wireless

Key features

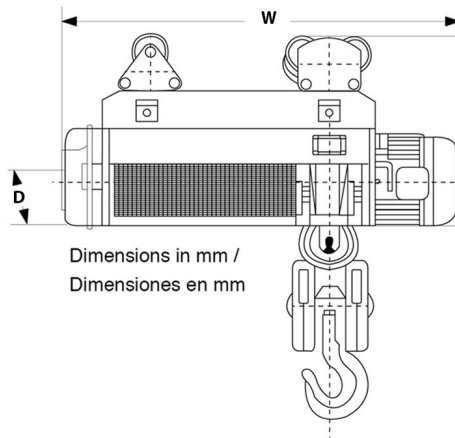
- Load Capacity: 3 tons (6,600 lbs), suitable for heavy lifting tasks.
- Lifting Height: 30 meters (approximately 98 feet), accommodating high-rise lifting needs.
- Speed: 2 Speed settings for optimal control and efficiency in various lifting applications.
- 3 Year Warranty, Customer Support and Service in the USA

Electric Wire Rope Hoist Description

3 Ton Wireless Electric Wire Rope Hoists are used for raising and lowering material. Power Cord is standard at 3 ft. for Hook and Push Trolley Mounts. Power Cord is standard at 3 ft. for Motorized Trolley Mounts. Hoists usually ship within 1-3 business days after ordering. Please call us at 1 (800) 971-8061 for any special requests. The Highest Quality, most Technologically Advanced Hoist in the Industry. Our hoist ranges from basic Light Duty H1 to Heavy Duty Motor - 60 minute, H4 classification, Class B insulation with cooling fins and standard thermal motor protection. Compact lightweight body offers one of the lowest headroom hoists in the industry. Extremely durable and reliable Pull Rotor Motor Brake. Contains NO brake coil to fail like conventional disc brakes. Durable Push-Button Pendant for easy, one-handed operation. (Now with an included professional Industrial wireless remote control kit). Double speed functionality allows for a precise maneuverability and precision. Includes strain relief wire molded to pendant cord for added support and reliability. Easy Maintenance Control Panel is hinged to swing out to provide fast, easy, and trouble-free access. Completely Sealed Body suitable for both indoor and outdoor applications, including harsh environments. Gaskets throughout the hoist provide an IP55 rating. Oil Bath and precision machined helical and spur gears provide for quiet, smooth, and cool operations.

Technical Specifications

Rated Load Capacity	6614 lb / 3000 kg	Control	Pendant Control and Optional Wireless F21
Standard Lifting Height	80 ft / 24 m	Control Voltage	24 V
Speed (f/m) / min	3-26 ft / 0.8-8 m	Contactors	Schneider or EATON
Number of Speeds	2 Speed	Wire Rope	ø1/2 in x 196 ft ø13 mm x 60 m
Voltage	3 Phase 380V 50Hz	Humidity	<85%
Available Voltages	460V-US / 380V-CHILE	Temperature	-4°~104° F / -20°~40° C
Duty Class	H3/M4/1Am/Class C	Trolley Power	0.4 kW 3 Ph
Motor Type (68)	Squirrel Cage Induction Motor	Noise Level	82 dB
Motor Power (6)	0.8-4.5 kW 3 Ph	Trolley Speed /min	66 ft / 20 m
Motor RPM	1380	I-Beam Width Range	100~134 mm [3.9~5.3 in]
Insulation Grade	F	Minimum Turn Radius	13 ft / 4 m
IEC Motor Protection	IP55	Standards Compliance	ASME B30.17
Dynamic Brake	Optional with VFD Driver	Warranty	3 Year



Unit Weight & Dimensions

D Depth	24 in / 600 mm
W Width	61 in / 1550 mm
Total Unit Weight	899 lbs / 408 Kg

Packaging Weight & Dimensions

Package 1 Net Weight	899 lbs / 408 Kg
Package 1 Width	20 in / 50.8 cm
Package 1 Gross Weight	929 lbs / 422 Kg
Package 1 Height	27 in / 68.58 cm
Package 1 Length	75 in / 190.5 cm