



## 3 ton Electric Wire Rope Hoist 24 mts. 4 ways 2 Speed H3 Duty Wireless

### Key features

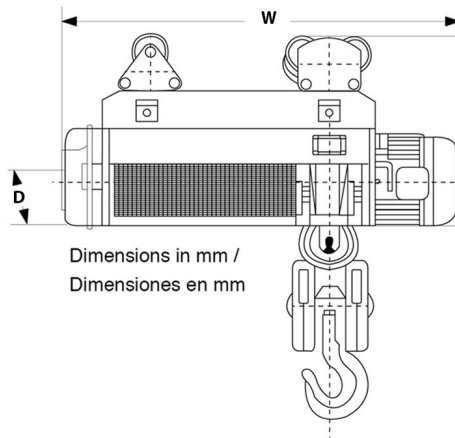
- Load Capacity: 3 tons (6,600 lbs), suitable for medium to heavy lifting tasks.
- Lifting Height: 24 meters (approximately 79 feet), allowing for high lifting applications.
- Speed: 2 Speed settings for fine-tuned control during lifting and lowering operations.
- 3 Year Warranty, Customer Support and Service in the USA

### Electric Wire Rope Hoist Description

3 Ton Wireless Electric Wire Rope Hoists are used for raising and lowering material. Power Cord is standard at 3 ft. for Hook and Push Trolley Mounts. Power Cord is standard at 3 ft. for Motorized Trolley Mounts. Hoists usually ship within 1-3 business days after ordering. Please call us at 1 (800) 971-8061 for any special requests. The Highest Quality, most Technologically Advanced Hoist in the Industry. Our hoist ranges from basic Light Duty H1 to Heavy Duty Motor - 60 minute, H4 classification, Class B insulation with cooling fins and standard thermal motor protection. Compact lightweight body offers one of the lowest headroom hoists in the industry. Extremely durable and reliable Pull Rotor Motor Brake. Contains NO brake coil to fail like conventional disc brakes. Durable Push-Button Pendant for easy, one-handed operation. (Now with an included professional Industrial wireless remote control kit). Double speed functionality allows for a precise maneuverability and precision. Includes strain relief wire molded to pendant cord for added support and reliability. Easy Maintenance Control Panel is hinged to swing out to provide fast, easy, and trouble-free access. Completely Sealed Body suitable for both indoor and outdoor applications, including harsh environments. Gaskets throughout the hoist provide an IP55 rating. Oil Bath and precision machined helical and spur gears provide for quiet, smooth, and cool operations.

## Technical Specifications

<b>Rated Load Capacity</b>	6614 lb / 3000 kg	<b>Control</b>	Pendant Control and Optional Wireless F21
<b>Standard Lifting Height</b>	80 ft / 24 m	<b>Control Voltage</b>	24 V
<b>Speed (f/m) / min</b>	3-79 ft / 0.8-24 m	<b>Contactors</b>	Schneider or EATON
<b>Number of Speeds</b>	2 Speed	<b>Wire Rope</b>	ø9/16 in x 79 ft   ø13 mm x 48 m
<b>Voltage</b>	3 Phase 380V 50Hz	<b>Humidity</b>	<85%
<b>Available Voltages</b>	460V-US / 380V-CHILE	<b>Temperature</b>	-4°~104° F / -20°~40° C
<b>Duty Class</b>	H3/M4/1Am/Class C	<b>Trolley Power</b>	0.4 kW 3 Ph
<b>Motor Type (68)</b>	Squirrel Cage Induction Motor	<b>Noise Level</b>	82 dB
<b>Motor Power (6)</b>	0.8-4.5 kW 3 Ph	<b>Trolley Speed /min</b>	66 ft / 20 m
<b>Motor RPM</b>	1380	<b>I-Beam Width Range</b>	100~134 mm [ 3.9~5.3 in ]
<b>Insulation Grade</b>	F	<b>Minimum Turn Radius</b>	13 ft / 4 m
<b>IEC Motor Protection</b>	IP55	<b>Standards Compliance</b>	ASME B30.17
<b>Dynamic Brake</b>	Optional with VFD Driver	<b>Warranty</b>	3 Year



## Unit Weight & Dimensions

<b>D Depth</b>	24 in / 600 mm
<b>W Width</b>	61 in / 1550 mm
<b>Total Unit Weight</b>	849 lbs / 386 Kg

## Packaging Weight & Dimensions

<b>Package 1 Net Weight</b>	849 lbs / 385 Kg
<b>Package 1 Width</b>	20 in / 50.8 cm
<b>Package 1 Gross Weight</b>	879 lbs / 399 Kg
<b>Package 1 Height</b>	27 in / 68.58 cm
<b>Package 1 Length</b>	65 in / 165.1 cm