

32 ton Electric Wire Rope Hoist 18 mts. 4 ways 2 Speed H3 Duty Wireless



Key features

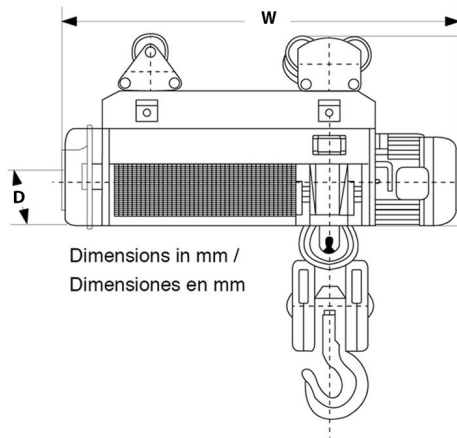
- Load Capacity: 32 tons (64,000 lbs), designed for very heavy lifting applications.
- Lifting Height: 18 meters (approximately 59 feet), suitable for medium-height lifting tasks.
- Speed: 2 Speed settings for precise control over lifting and lowering operations.
- 3 Year Warranty, Customer Support and Service in the USA

Electric Wire Rope Hoist Description

32 Ton Wireless Electric Wire Rope Hoists are used for raising and lowering material. Power Cord is standard at 3 ft. for Hook and Push Trolley Mounts. Power Cord is standard at 3 ft. for Motorized Trolley Mounts. Hoists usually ship within 1-3 business days after ordering. Please call us at 1 (800) 971-8061 for any special requests. The Highest Quality, most Technologically Advanced Hoist in the Industry. Our hoist ranges from basic Light Duty H1 to Heavy Duty Motor - 60 minute, H4 classification, Class B insulation with cooling fins and standard thermal motor protection. Compact lightweight body offers one of the lowest headroom hoists in the industry. Extremely durable and reliable Pull Rotor Motor Brake. Contains NO brake coil to fail like conventional disc brakes. Durable Push-Button Pendant for easy, one-handed operation. (Now with an included professional Industrial wireless remote control kit). Double speed functionality allows for a precise maneuverability and precision. Includes strain relief wire molded to pendant cord for added support and reliability. Easy Maintenance Control Panel is hinged to swing out to provide fast, easy, and trouble-free access. Completely Sealed Body suitable for both indoor and outdoor applications, including harsh environments. Gaskets throughout the hoist provide an IP55 rating. Oil Bath and precision machined helical and spur gears provide for quiet, smooth, and cool operations.

Technical Specifications

Rated Load Capacity	70548 lb / 32000 kg	Control	Pendant Control and Optional Wireless F21
Standard Lifting Height	60 ft / 18 m	Control Voltage	24 V
Speed (f/m) / min	1-8 ft / 0.24-2.4 m	Contactors	Schneider or EATON
Number of Speeds	2 Speed	Wire Rope	ø7/8 in x 236 ft ø21 mm x 72 m
Voltage	3 Phase 380V 50Hz	Humidity	<85%
Available Voltages	460V-US / 380V-CHILE	Temperature	-4°~104° F / -20°~40° C
Duty Class	H3/M4/1Am/Class C	Trolley Power	0.8 kW 3Ph
Motor Type (68)	Squirrel Cage Induction Motor	Noise Level	82 dB
Motor Power (6)	18.5 kW 3 Ph	Trolley Speed /min	66 ft / 20 m
Motor RPM	1400	Minimum Turn Radius	15 ft / 4.6 m
Insulation Grade	F	Standards Compliance	ASME HST-4 , ASME B30.16 , B30.17 , EN14492-2 , EN60204-32
IEC Motor Protection	IP55	Warranty	3 Year
Dynamic Brake	Optional with VFD Driver		



Unit Weight & Dimensions

D Depth	39 in / 980
W Width	110 in / 2780 mm