



## Electric Marine Capstan 1 ton 49 ft/min

### Key features

- Load Capacity: Handles up to 1 ton (2,000 lbs), suitable for marine applications requiring reliable lifting and pulling.
- Operating Speed: Delivers a speed of 49 feet per minute for efficient and fast operation.
- Electric Operation: Powered by an electric motor for consistent and reliable performance with minimal manual effort.
- 1 Year Warranty, Customer Support and Service in the USA

Copyright: The pictures contained in this site belong to Prowinch LLC and are protected by copyright under national and international law. This information may not be reproduced, adapted or modified without the written consent of Prowinch LLC. The use of these images and texts implies that you should mention Prowinch LLC as owner. By consulting this site or downloading any information you agree to these conditions.

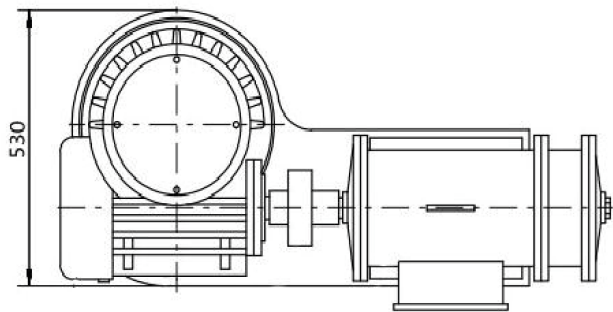
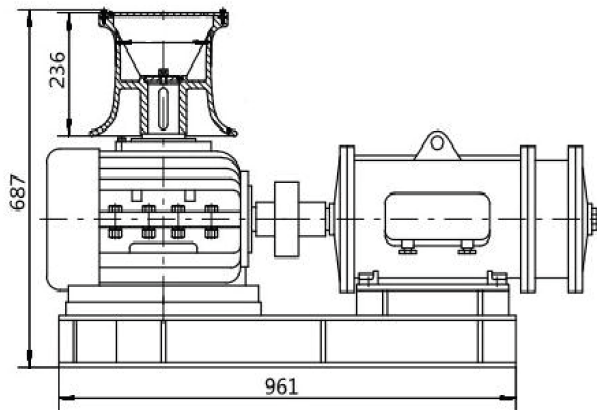
### Winch Description

This electric marine capstan offers a 1-ton lifting capacity and operates at a speed of 49 feet per minute. Designed for robust marine applications, it provides reliable performance for anchoring and mooring tasks, ensuring efficient and dependable operation in marine environments.

## Technical Specifications

<b>Rated Load Capacity</b>	2200 lb / 1000 kg	<b>Motor Type (68)</b>	JZ2-H23-4/12
<b>Speed (f/m) / min</b>	15.9 - 52.4 ft/min [ 4.85 - 16 m/min ]	<b>Transmission / Reducer Type</b>	Right Angle transmission CWS160-63-IV (Horizontal Motor)
<b>Number of Speeds</b>	2 Speed	<b>Gear Ratio</b>	63 : 1
<b>Voltage</b>	3 Phase 440~480V 60Hz	<b>Recommended Wire Rope</b>	48 mm
<b>Total Power Watts</b>	4.3 / 1.7 kW	<b>Warranty</b>	1 Year

**PWMCH1TM Models**



## Unit Weight & Dimensions

<b>Drum BD Barrel Diameter (58)</b>	260 mm
-------------------------------------	--------