



10 Ton Hydraulic Winch Incorporated Roller 20000 lbs. Light Duty 24V Wired/Wireless Control

Key features

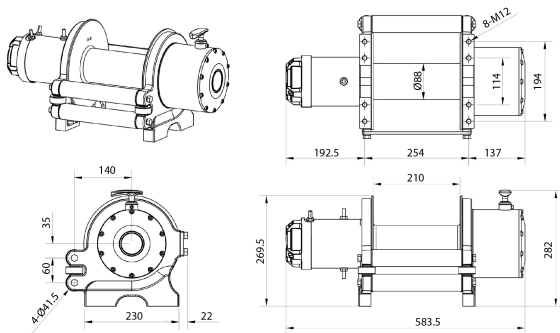
- Load Capacity: 10 Ton (20,000 lbs), capable of handling substantial weights in light-duty applications.
- 12V Power: Operates on a 12V DC system, which is compatible with many standard power sources and vehicles.
- Wireless Control: Allows for remote operation, offering flexibility and convenience.
- 3 Year Warranty, Customer Support and Service in the USA

Winch Description

This heavy-duty 10 Ton Hydraulic Winch provides a powerful 20,000 lbs capacity and features robust 24V wired and wireless control options. Designed for demanding applications, it offers superior performance and reliability for intensive lifting and pulling tasks, combining durability with versatile control capabilities.

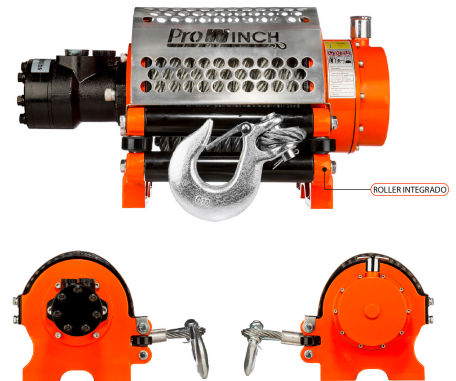
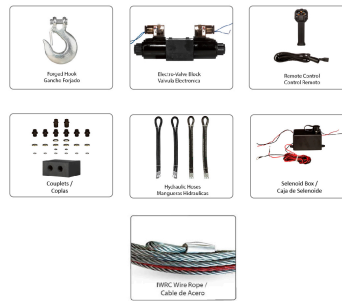
Technical Specifications

1st Layer Rated Capacity	20000 lb / 9000 Kg	Drum Brake	YES
Speed (f/m) / min	14~19 ft / 5~5.7 m	Free Spooling Clutch Type	Manual
Number of Speeds	1 Speed - Optional Variable Speed	Wire Rope	ø1/2 in x 78 ft ø13 mm x 24 m
FCC ID	WTX20X04015023E	Recommended Wire Rope	REMOVE FIELD
Motor Type (68)	Hydraulic w/ Counterbalance valve	Standards Compliance	SAE-J706
IEC Motor Protection	IP67	Warranty	3 Year
Control	Wireless w/ 24 V Electro Valve Block	Oil Pressure	1450 psi
Transmission / Reducer Type	2 Stages Planetary / 2 Etapas Planetario	Oil Flow	8 Gal/min - 30L/min
Gear Ratio	33:1		



Dimensions in mm / Dimensiones en mm

INCLUDED / INCLUIDO



Unit Weight & Dimensions

A Total Height	223 mm	Package 1 Net Weight	160 lbs / 73 Kg
W Width	540 mm	Package 1 Width	19 in / 48.26 cm
D Depth	196 mm	Package 1 Gross Weight	178 lbs / 81 Kg
Drum DL Length (56)	220 mm	Package 1 Height	23 in / 58.42 cm
Total Unit Weight	160 lbs / 73 Kg	Package 1 Length	40 in / 101.6 cm

Packaging Weight & Dimensions