



10 Ton Hydraulic Winch Incorporated Roller 20000 lbs. Light Duty 12V Wired/Wireless Control

Key features

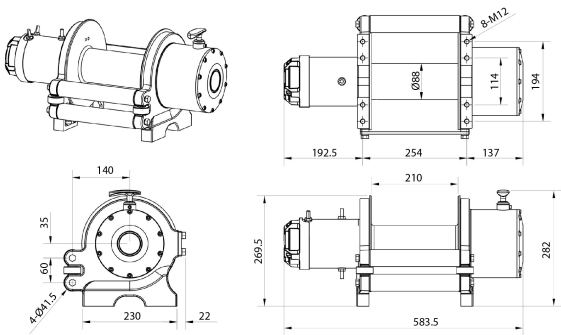
- Load Capacity: 10 Ton (20,000 lbs), capable of handling substantial weights in light-duty applications.
- 12V Power: Operates on a 12V DC system, which is compatible with many standard power sources and vehicles.
- Wireless Control: Allows for remote operation, offering flexibility and convenience.
- 3 Year Warranty, Customer Support and Service in the USA

Winch Description

This versatile 10 Ton Hydraulic Winch offers a 20,000 lbs capacity and light-duty performance, featuring both 12V wired and wireless control options. Designed for flexibility and ease of use, it ensures reliable operation for various lifting and pulling tasks. Ideal for applications requiring both convenient remote handling and direct control.

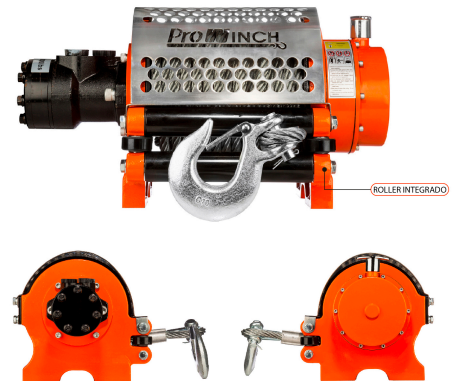
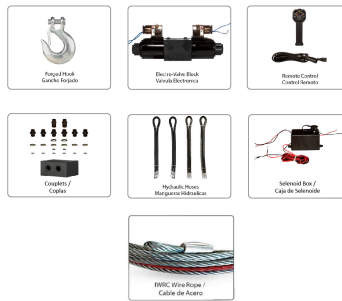
Technical Specifications

1st Layer Rated Capacity	20000 lb / 9000 Kg	Drum Brake	YES
Speed (f/m) / min	14~19 ft / 5~5.7 m	Free Spooling Clutch Type	Manual
Number of Speeds	1 Speed - Optional Variable Speed	Wire Rope	ø1/2 in x 78 ft ø13 mm x 24 m
FCC ID	WTX20X04015023E	Recommended Wire Rope	REMOVE FIELD
Motor Type (68)	Hydraulic w/ Counterbalance valve	Standards Compliance	SAE-J706
IEC Motor Protection	IP67	Warranty	3 Year
Control	Wireless w/ 12 V Electro Valve Block	Oil Pressure	1450 psi
Transmission / Reducer Type	2 Stages Planetary / 2 Etapas Planetario	Oil Flow	8 Gal/min - 30L/min
Gear Ratio	33:1		



Dimensions in mm / Dimensiones en mm

INCLUDED / INCLUIDO



Unit Weight & Dimensions

A Total Height	223 mm
W Width	540 mm
D Depth	196 mm
Drum DL Length (56)	220 mm
Total Unit Weight	190 lbs / 87 Kg

Packaging Weight & Dimensions

Package 1 Net Weight	190 lbs / 86 Kg
Package 1 Width	18 in / 45.72 cm
Package 1 Gross Weight	178 lbs / 81 Kg
Package 1 Height	19 in / 48.26 cm
Package 1 Length	27 in / 68.58 cm