



10 Ton Hydraulic Winch with Steel Roller 20000 lbs. 24V Wired Control

Key features

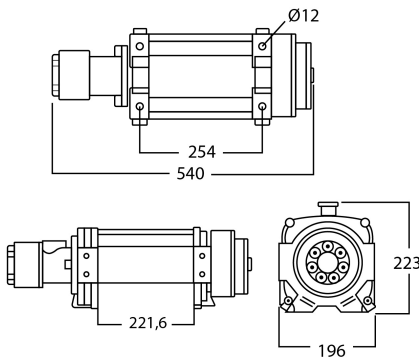
- Load Capacity: 10 Ton (20,000 lbs), ideal for heavy-duty applications such as industrial lifting, towing, and recovery.
- 24V Power: Utilizes a 24V DC system, offering powerful and efficient performance suitable for more robust applications.
- Wired Control: Comes with a wired control system, allowing for direct and reliable operation, particularly useful in environments where wireless control is not feasible.
- 3 Year Warranty, Customer Support and Service in the USA

Winch Description

This powerful 10 Ton Hydraulic Winch features a 20,000 lbs capacity and comes equipped with a roller for smooth operation. The 24V wired control system ensures precise handling and reliability, making it ideal for heavy-duty lifting and pulling tasks. Designed for robust performance and durability in demanding environments.

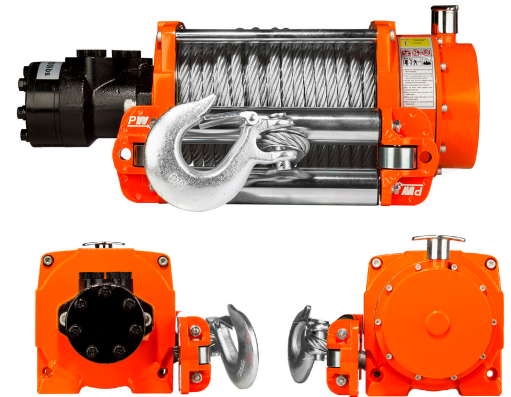
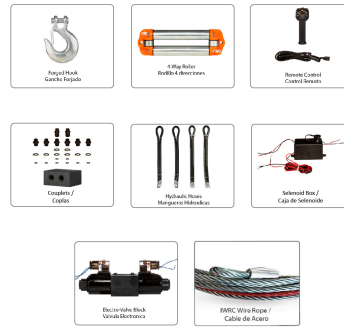
Technical Specifications

1st Layer Rated Capacity	20000 lb / 9000 Kg	Drum Brake	YES
Speed (f/m) / min	14~19 ft / 5~5.7 m	Free Spooling Clutch Type	Manual
Number of Speeds	1 Speed - Optional Variable Speed	Wire Rope	ø1/2 in x 78 ft ø13 mm x 24 m
Motor Type (68)	Hydraulic w/ Counterbalance valve	Recommended Wire Rope	REMOVE FIELD
IEC Motor Protection	IP67	Standards Compliance	SAE-J706
Control	Wireless w/ 24 V Electro Valve Block	Warranty	3 Year
Transmission / Reducer Type	2 Stages Planetary / 2 Etapas Planetario	Oil Pressure	1450 psi
Gear Ratio	33:1	Oil Flow	8 Gal/min - 30L/min



Dimensions in mm / Dimensiones en mm

INCLUDED / INCLUIDO



Unit Weight & Dimensions

A Total Height	223 mm	Package 1 Net Weight	149 lbs / 68 Kg
W Width	540 mm	Package 1 Width	23 in / 58.42 cm
D Depth	196 mm	Package 1 Gross Weight	154 lbs / 70 Kg
Drum DL Length (56)	220 mm	Package 1 Height	8 in / 20.32 cm
Total Unit Weight	149 lbs / 68 Kg	Package 1 Length	14 in / 35.56 cm

Packaging Weight & Dimensions