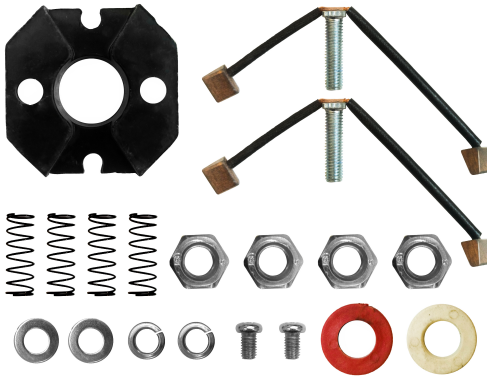


## Brushes for PWLD600012V Motor

### Key features

- Model Compatibility: Specifically designed for the PWLD6000 (12V) Motor, ensuring optimal performance and compatibility.
- Durable Material: Made from high-quality conductive materials that provide excellent conductivity and longevity, ensuring reliable performance under various operating conditions.
- Efficient Operation: Engineered to minimize wear and reduce friction, promoting smooth operation and prolonging the life of the motor.
- 3 Year Warranty, Customer Support and Service in the USA



### Brushes for PWLD600012V Motor Description

The Brushes for the PWLD6000 (12V) Motor are essential components that facilitate the transfer of electrical current between the stationary and rotating parts of the motor. These brushes ensure reliable operation and efficient performance during winch activities.

## Technical Specifications

Warranty	3 Year
----------	--------