



Prowinch 8 ton Winch Snatch Block Towing Pulley 17,600 lb. Capacity, Safety Factor 2:1 MBL 16 ton 35,200 lb.

Key features

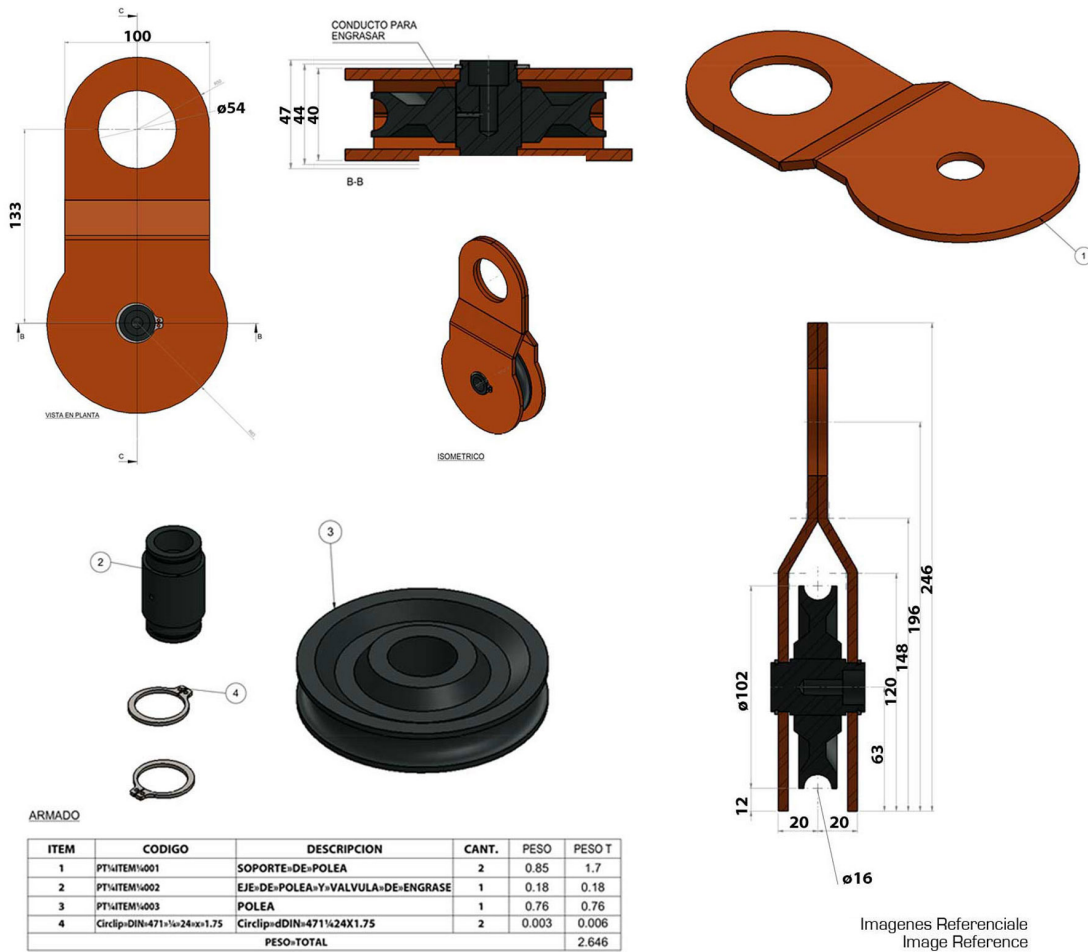
- High Load Capacity: Rated for 17,600 lbs, perfect for a range of lifting and towing applications.
- Minimum Breaking Load: With an MBL of 35,200 lbs, it offers a robust safety margin, ensuring dependable operation.
- Safety Factor 2:1: Enhances safety during heavy lifting and towing, providing peace of mind while you work.
- 3 Year Warranty, Customer Support and Service in the USA

Prowinch 8 ton Winch Snatch Block Towing Pulley 17,600 lb. Capacity, Safety Factor 2:1 MBL 16 ton 35,200 lb. Description

The Prowinch 8 Ton Winch Snatch Block Towing Pulley is designed for high-performance lifting and towing operations, making it an essential tool for professionals in various industries. With an impressive capacity of 17,600 lbs and a minimum breaking load (MBL) of 35,200 lbs, this snatch block ensures reliable performance in demanding environments. The safety factor of 2:1 provides added security when handling heavy loads, allowing you to work with confidence.

Technical Specifications

Rated Load Capacity	17600 lb / 8000 kg	Design Factor	2:1
Pulley Diameter	Ø4 in / Ø102 mm	Warranty	3 Year



Unit Weight & Dimensions

Total Unit Weight 1.5 lbs / 1 Kg

Packaging Weight & Dimensions

Package 1 Net Weight 1.5 lbs / 1 Kg

Package 1 Width 5 in / 12.7 cm

Package 1 Gross Weight 4 lbs / 2 Kg

Package 1 Height 3 in / 7.62 cm

Package 1 Length 10 in / 25.4 cm