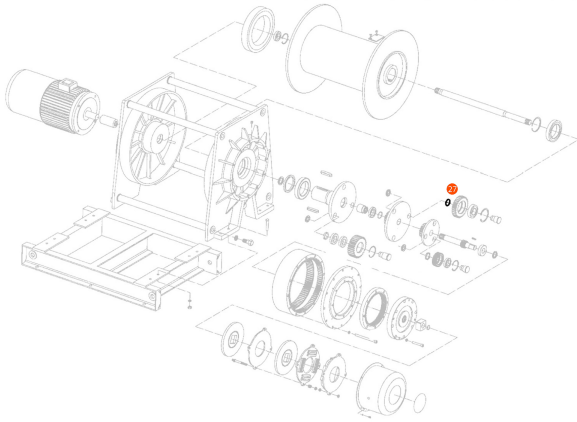


Washer II - Part 27 - for PWK12600i

Key features

- Precision Fit: Designed to fit seamlessly within the PWK12600i system, ensuring optimal performance and preventing unnecessary friction or misalignment.
- Durable Construction: Made from high-quality materials that provide excellent resistance to wear and tear, ensuring long-lasting durability.
- Anti-Corrosion Coating: Coated for enhanced corrosion resistance, making it suitable for harsh working environments.



Washer II - Part 27 Description

The Washer II (Part 27) for the PWK12600i is a high-performance washer designed to ensure proper spacing, alignment, and smooth operation of mechanical components within the hoist system. This part plays a crucial role in reducing friction and preventing wear between key moving parts, contributing to the overall durability and efficiency of the system.

Technical Specifications

