



## 30T Hydraulic Winch 22 m/min

### Key features

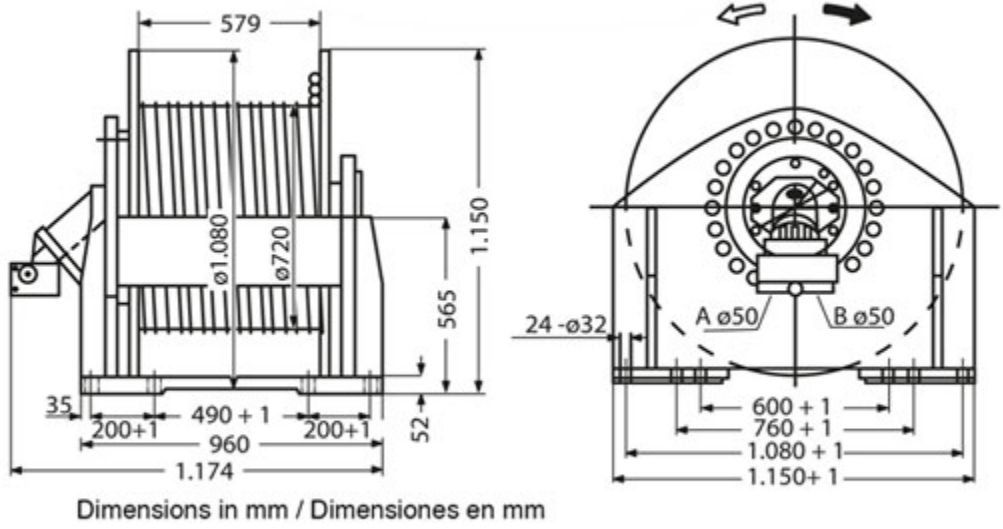
- Capacity: Supports up to 30 tons, designed for very heavy-duty lifting and pulling applications.
- Speed: Operates at a rate of 22 meters per minute, offering a balance between speed and power.
- Hydraulic Operation: Powered by a hydraulic system, ensuring smooth and efficient performance.
- 3 Year Warranty, Customer Support and Service in the USA

### Winch Description

This powerful 30-ton hydraulic winch is designed for heavy-duty applications, offering a reliable and efficient lifting and pulling solution. With an operational speed of 22 meters per minute, it delivers robust performance for industrial and construction tasks requiring high capacity and consistent operation.

## Technical Specifications

<b>1st Layer Rated Capacity</b>	66139 lb / 30000 kg	<b>Recommended Wire Rope</b>	ø1 1/2 in x 328 ft   ø36 mm x 100m
<b>Speed (f/m) / min</b>	49-72 ft / 15-22 m	<b>Warranty</b>	3 Year
<b>Number of Speeds</b>	2 Variable Speed	<b>Oil Pressure</b>	30 MPa
<b>Motor Type (68)</b>	Hydraulic Motor A2Fe180/6 IWYZL10	<b>Oil Flow</b>	313 L/min
<b>IEC Motor Protection</b>	IP67		



Dimensions in mm / Dimensiones en mm

Imágenes Referenciales