

18 Ton Fast Hydraulic Winch 18Ton Up to 60 m/min

Key features

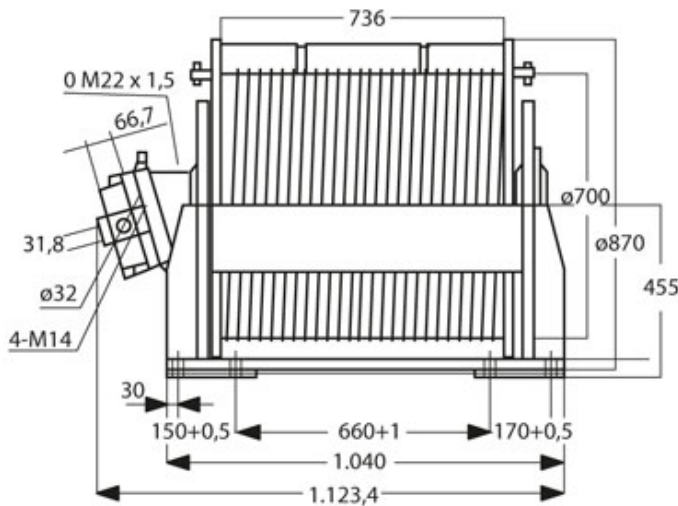
- Capacity: Handles up to 18 tons, ideal for heavy-duty lifting and pulling tasks.
- Speed: Operates at speeds of up to 60 meters per minute, providing rapid performance for efficient operations.
- Hydraulic Operation: Powered by a hydraulic system for smooth and effective performance.
- 3 Year Warranty, Customer Support and Service in the USA

Winch Description

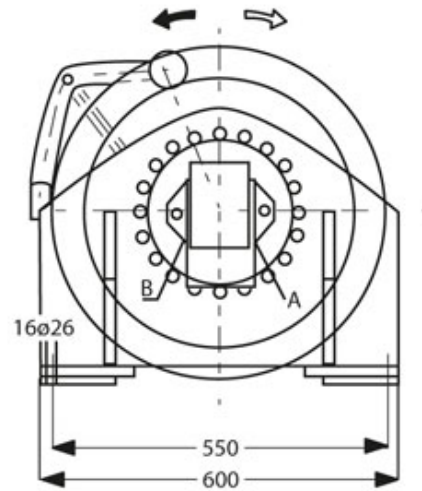
This high-performance hydraulic winch features a robust 18-ton capacity and offers fast operation with speeds of up to 60 meters per minute. Designed for demanding industrial and construction tasks, it provides reliable and efficient lifting and pulling capabilities, ensuring swift and effective performance in a variety of heavy-duty applications.

Technical Specifications

1st Layer Rated Capacity	39683 lb / 18000 kg	Motor Type (68)	Hydraulic 20240 ml/rev (1st layer/capa) / 12650 ml/rev (2nd layer/capa)
Speed (f/m) / min	121 ft / 37 m (1st layer/capa) 197 ft / 60 cm (2nd layer/capa)	Recommended Wire Rope	ø1 1/8 in x 360 ft ø28 mm x 110 m
Number of Speeds	2 Variable Speed	Warranty	3 Year



Dimensions in mm / Dimensiones en mm



Imágenes Referenciales

Unit Weight & Dimensions

Total Unit Weight	1323 lbs / 601 Kg
--------------------------	-------------------

Packaging Weight & Dimensions

Package 1 Net Weight	1323 lbs / 600 Kg
Package 1 Width	39 in / 99.06 cm
Package 1 Gross Weight	1433 lbs / 650 Kg
Package 1 Height	51 in / 129.54 cm
Package 1 Length	47 in / 119.38 cm