

## 1 Ton Crane Scale Light Alloy IP67

### Key features



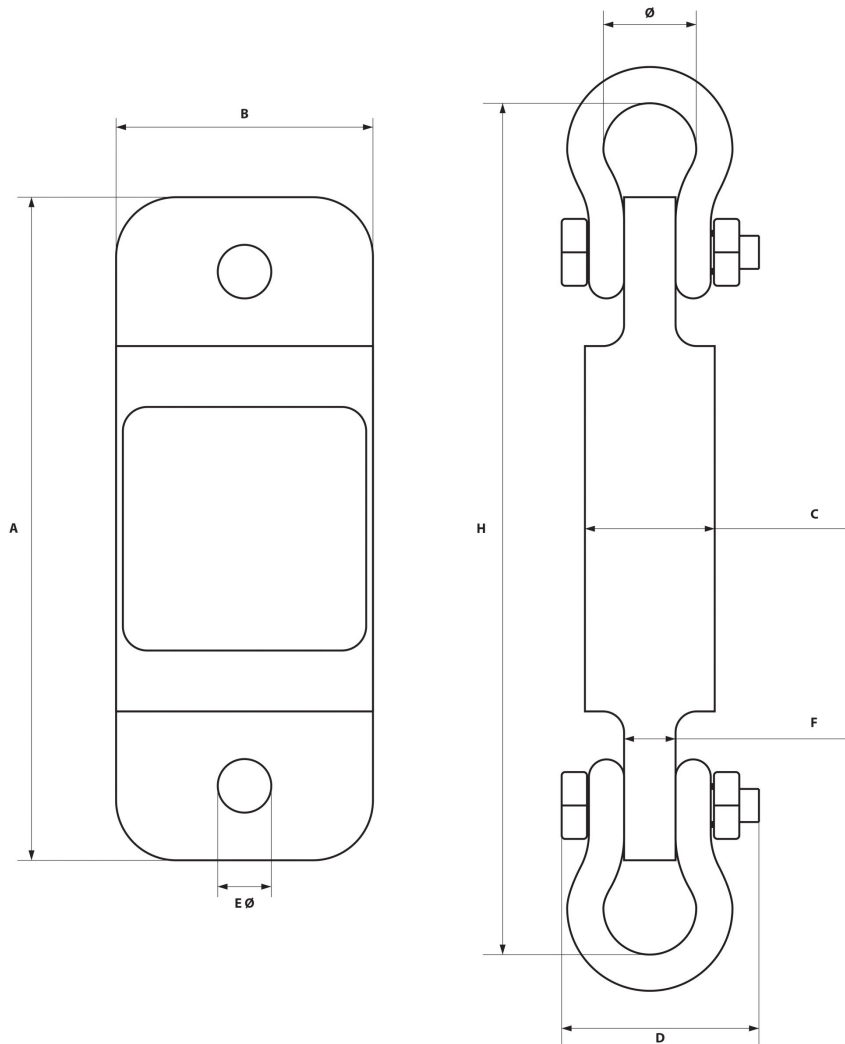
- 1 Ton Capacity: Capable of handling loads up to 2,200 lbs with high accuracy, perfect for small to medium industrial tasks.
- Light Alloy Construction: Built with a strong but lightweight alloy, ensuring long-lasting durability and portability.
- IP67 Rating: Provides excellent protection against dust and water immersion, allowing reliable performance in challenging environments.
- 3 Year Warranty, Customer Support and Service in the USA

### 1 Ton Crane Scale Light Alloy IP67 Description

The 1 Ton Crane Scale Light Alloy IP67 is a lightweight, durable, and highly precise weighing tool designed for medium-capacity lifting operations. With a 1-ton (2,200 lb) capacity and a rugged alloy construction, this crane scale is built to withstand tough industrial conditions while offering ease of use and portability. Its IP67 protection ensures resistance to dust and water, making it ideal for both indoor and outdoor use.

## Technical Specifications

<b>Rated Load Capacity</b>	2200 lb / 1 ton	<b>Minimum Weight</b>	22 lb / 10 kg
<b>Accuracy Grade</b>	Grade III / n=3000	<b>Receiver Power Supply</b>	3 Battery (pilas) AA 1.5V
<b>Scale Interval</b>	1/2/5/10/20/50 lb/kg	<b>Operating Temperature Range</b>	4° - 122 °F / -20° - 50° C
<b>Sample Rate (per sec)</b>	80 times/veces	<b>Warranty</b>	3 Year



Model / Modelo	PWHYCS1T	PWHYCS5T	PWHTCS10T	PWHYCS20T	PWHYCS30T	PWHYCS50T
A	9 5/8 in	11 1/4 in	12 1/3 in	16.5 in	16.5 in	18.3 in
	244.5 mm	286 mm	318 mm	420 mm	420 mm	465 mm
B	3 3/4 in	4 in	4 1/2 in	4.8 in	5.4 in	5.9 in
	95.3 mm	102 mm	114 mm	128 mm	138 mm	150 mm
C	1 7/8 in	2 in	1 7/8 in	2.8 in	3.1 in	3.9 in
	47.6 mm	51 mm	48 mm	70 mm	80 mm	100 mm
D	2 13/16 in	4 7/8 in	6 1/2 in	10.2 in	11 in	12 in
	71.4 mm	124 mm	165 mm	260 mm	280 mm	305 mm
Ø	1 3/8 in	2 1/4 in	3 1/4 in	5 in	5.7 in	7.2 in
	34.9 mm	57 mm	83 mm	127 mm	146 mm	184 mm
H	12 in	16 in	19 1/2 in	25.9 in	29.1 in	36.6 in
	304.8 mm	406 mm	495 mm	660 mm	740 mm	930 mm
EØ	13/16 in	1 7/16 in	1 7/6 in			
	19.6 mm	37 mm	37 mm			
F	3/4 in	1 3/8 in	1 7/8 in			
	19.04 mm	35 mm	48 mm			

## Unit Weight & Dimensions

<b>Total Unit Weight</b>	6 lbs / 3 Kg
--------------------------	--------------

## Packaging Weight & Dimensions

<b>Package 1 Net Weight</b>	6 lbs / 3 Kg
-----------------------------	--------------

<b>Package 1 Width</b>	13 in / 33.02 cm
------------------------	------------------

<b>Package 1 Gross Weight</b>	8 lbs / 4 Kg
-------------------------------	--------------

<b>Package 1 Height</b>	13 in / 33.02 cm
-------------------------	------------------

<b>Package 1 Length</b>	13 in / 33.02 cm
-------------------------	------------------