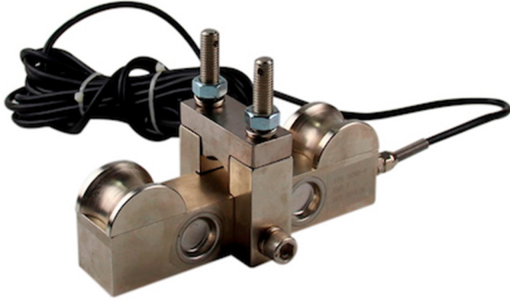


2 Ton On-Wire Rope Crane Scale Shockproof

Key features

- Heavy-Duty Capacity: Supports loads up to 2 tons, making it suitable for a wide range of lifting applications.
- IP68 Waterproof and Dustproof: Designed to resist water and dust ingress, ensuring reliable performance in harsh conditions.
- Shockproof Construction: Built to endure impacts and vibrations, extending the lifespan and reliability of the scale.
- 3 Year Warranty, Customer Support and Service in the USA

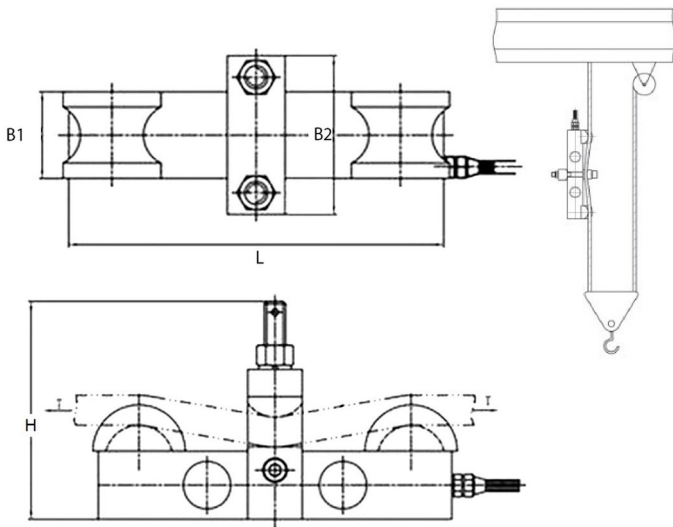


2 Ton On-Wire Rope Crane Scale Shockproof Description

The 2 Ton On-Wire Rope Crane Scale is a heavy-duty lifting solution designed for reliable performance in demanding environments. With an impressive weight capacity of 2 tons, this crane scale is built to withstand tough conditions while maintaining precision and accuracy. Its IP68 rating ensures that it is fully water and dustproof, making it ideal for outdoor use and challenging work sites. Engineered for safety and efficiency, this crane scale is a vital tool for any industrial or construction setting.

Technical Specifications

Rated Load Capacity	4000 lb / 2 ton	Excitation Recommended	5-12V
Zero Balance	±1% FS, TCO = ±0.05% FS 50 °F / 10 °C	Excitation Maximum	15V
Input Impedance	385 ± 5 Ω	Explosion Proof Protection	EX I a II CT6
Output Impedance	350 ± 2 Ω	Receiver Sensitivity	1.0 mv/v
Insulation Impedance	≥5000M Ω	IEC Motor Protection	IP68
Maximum Safe Overload	150% FS	Warranty	3 Year
Ultimate Overload	200% FS		



Capacity / Capacidad	H	B1	B2	L	Steel Rope/Cable de Acero
2000 lb / 1 t	3.8 in / 95.5 mm	1.6 in / 40 mm	2.4 in / 60 mm	7.1 in / 180 mm	ø1/4 - ø9/16 in ø6 - ø14 mm
4000 lb / 2 t	3.8 in / 95.5 mm	1.6 in / 40 mm	2.4 in / 60 mm	7.1 in / 180 mm	ø25/64 - ø54/64 in ø10 - ø18 mm
6000 lb / 3 t	3.8 in / 95.5 mm	1.6 in / 40 mm	2.4 in / 60 mm	7.1 in / 180 mm	ø15/32 - ø25/32 in ø12 - ø20 mm
10000 lb / 5 t	5.4 in / 136.5 mm	1.6 in / 40 mm	2.9 in / 75 mm	7.9 in / 200 mm	ø5/8 - ø1 1/32 in ø16 - ø26 mm
20000 lb / 10 t	7.7 in / 195 mm	2.4 in / 60 mm	4.3 in / 110 mm	10.2 in / 260 mm	ø15/16 - ø1 13/32 in ø24 - ø36 mm
50000 lb / 25 t	By Request Customizable / Adaptable Según Pedido				
100000lb / 50 t	By Request Customizable / Adaptable Según Pedido				