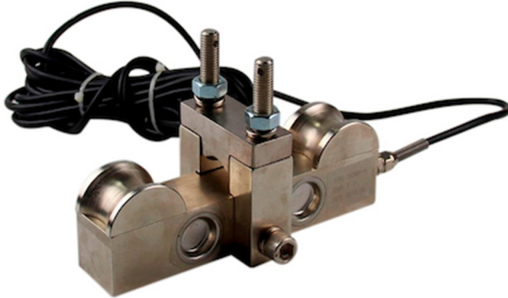


10 Ton On-Wire Rope Crane Scale, Heavy Duty, IP68 Water and Shockproof

Key features

- High Capacity: Supports loads up to 10 tons, perfect for heavy lifting operations.
- IP68 Rating: Fully waterproof and dustproof, providing reliable performance in various environments.
- Shockproof Construction: Built to endure impacts and rough handling, ensuring long-lasting use.
- 3 Year Warranty, Customer Support and Service in the USA

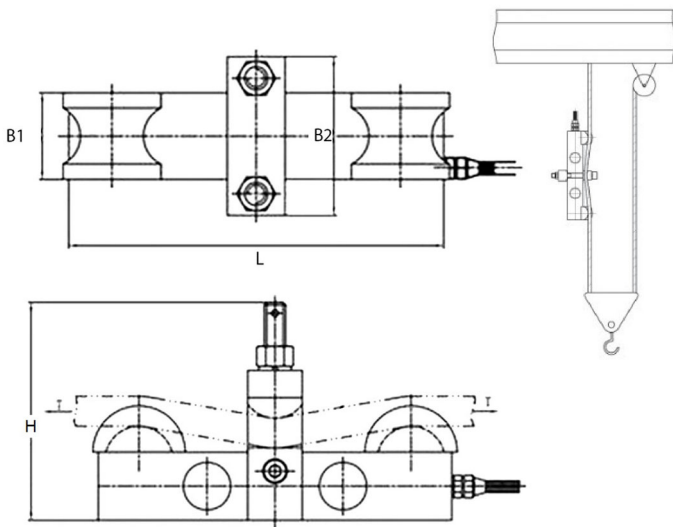


10 Ton On-Wire Rope Crane Scale, Heavy Duty, IP68 Water and Shockproof Description

The 10 Ton On-Wire Rope Crane Scale is engineered for high-performance lifting in challenging environments. Designed to handle loads up to 10 tons, this heavy-duty scale is perfect for industrial applications where durability and accuracy are paramount. With an IP68 rating, it is fully water and dustproof, ensuring reliable operation even in wet and harsh conditions. The scale's shockproof design enhances its resilience, making it ideal for rough handling in demanding settings.

Technical Specifications

Rated Load Capacity	20000 lb / 10 ton	Ultimate Overload	200% FS
Zero Balance	±1% FS, TCO = ±0.05% FS 50 °F / 10 °C	Excitation Recommended	5-12V
Input Impedance	385 ± 5 Ω	Excitation Maximum	15V
Output Impedance	350 ± 2 Ω	Explosion Proof Protection	EX I a II CT6
Insulation Impedance	≥5000M Ω	Receiver Sensitivity	1.0 mv/v
Maximum Safe Overload	150% FS	Warranty	3 Year



Capacity / Capacidad	H	B1	B2	L	Steel Rope/Cable de Acero
2000 lb / 1 t	3.8 in / 95.5 mm	1.6 in / 40 mm	2.4 in / 60 mm	7.1 in / 180 mm	ø1/4 - ø9/16 in ø6 - ø14 mm
4000 lb / 2 t	3.8 in / 95.5 mm	1.6 in / 40 mm	2.4 in / 60 mm	7.1 in / 180 mm	ø25/64 - ø54/64 in ø10 - ø18 mm
6000 lb / 3 t	3.8 in / 95.5 mm	1.6 in / 40 mm	2.4 in / 60 mm	7.1 in / 180 mm	ø15/32 - ø25/32 in ø12 - ø20 mm
10000 lb / 5 t	5.4 in / 136.5 mm	1.6 in / 40 mm	2.9 in / 75 mm	7.9 in / 200 mm	ø5/8 - ø1 1/32 in ø16 - ø26 mm
20000 lb / 10 t	7.7 in / 195 mm	2.4 in / 60 mm	4.3 in / 110 mm	10.2 in / 260 mm	ø15/16 - ø1 13/32 in ø24 - ø36 mm
50000 lb / 25 t	By Request Customizable / Adaptable Según Pedido				
100000lb / 50 t	By Request Customizable / Adaptable Según Pedido				