



Pulley (5) for 80 Tons Cable 31 to 35 mm

Key features

- **Load Capacity:** Supports up to 80 tons, making it ideal for heavy-duty lifting applications.
- **Cable Compatibility:** Specifically designed for cables measuring between 31 to 35 mm in diameter.
- **Robust Construction:** Manufactured from high-quality materials to withstand harsh working conditions and heavy loads.
- **3 Year Warranty, Customer Support and Service in the USA**

Pulley (5) for 80 Tons Cable 31 to 35 mm Description

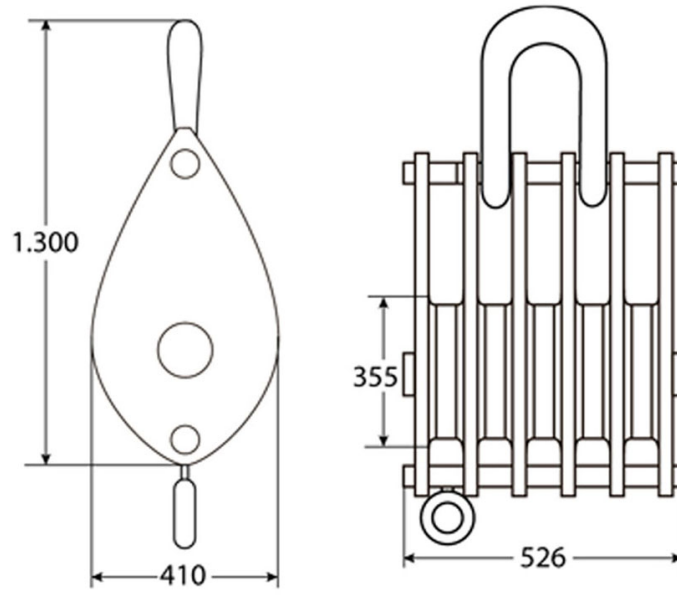
The 80 Tons Pulley (5) for Cable 31 to 35 mm is engineered for high-capacity lifting tasks, offering exceptional strength and reliability in demanding industrial, construction, and marine environments. With an impressive load capacity of 80 tons, this pulley is designed to accommodate cables ranging from 31 to 35 mm in diameter, ensuring secure and efficient operation during heavy lifting.

Prowinch Snatch Blocks Pulleys

All of our **Snatch Blocks Pulleys** are created with the goal of offering the best quality and performance. Key components such as lifespan factors are constantly tested and improved in order to offer the best product for the price.

Technical Specifications

Rated Load Capacity	176370 lb / 80000 kg	Warranty	3 Year
Pulley Diameter	Ø14 in / Ø355 mm		



Dimensions in mm / Dimensiones en mm