



23 Ton Electric Winch 52200 lbs. 440~480V Wire rope Not Included

Key features

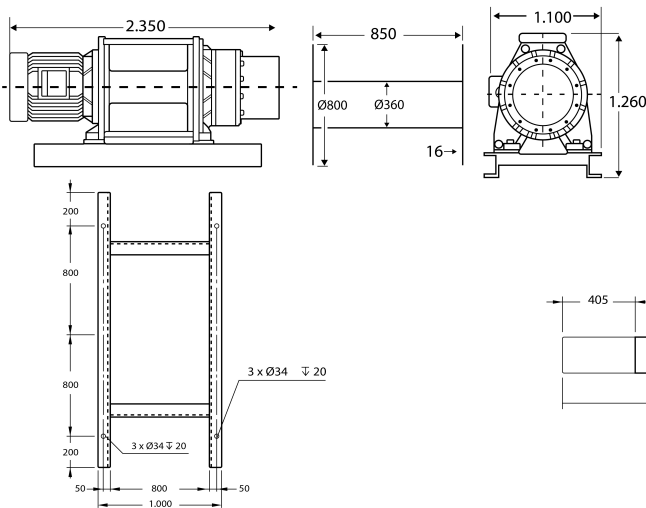
- Double Brake for Added Safety. Reducer brake and Motor Brake are Standard.
- Low Voltage IP66 Remote Control with Emergency Stop.
- Complete Line of Optional Accessories such as Drivers, Wireless and Desk Controls, and More.
- 3 Year Warranty, Customer Support and Service in the USA

Winch Description

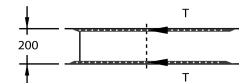
This heavy-duty electric winch offers a substantial pulling capacity of 23 tons (52,200 lbs) and operates on a 440~480V power supply. Designed for demanding industrial and construction applications, it provides robust performance and reliability. Please note, wire rope is not included with this winch, allowing for customization based on specific needs.

Technical Specifications

1st Layer Rated Capacity	52200 lb / 23700 kg	Electric Control Box	Not Included
Speed (f/m) / min	21.3 ft~37.8 ft / 6.5~11.5 m	Drum Brake	Optional
Number of Speeds	1 Speed - Optional Variable Speed	Wire Rope	Not Included
Voltage	3 Phase 380/440~480V 50/60Hz	Recommended Wire Rope	ø 1 1/4 in x 820 ft ø31.7 mm x 250 m
Motor Type (68)	Electric AC	Humidity	<85%
IEC Motor Protection	IP54	Standards Compliance	ASME/ANSI B30.7, B30.10 / AWS D14.3 / RR-W-410E / ISO 2232
IEC Electric Control Box Protection	IP65	Warranty	3 Year
Control	E-Stop/Up/Down - Optional Variable Speed	Standard Lifting Height	Up to 820 ft / 250 m
Control Voltage	24V		



	Layer / Capa	Rope on drum / Mts x Capa	Lifting x layer / Cap x Capa	Speed / Velocidad (per min)
INCLUIDO/INCLUIDO	1	99 ft / 30 m	52250 lb / 23700 kg	21.3 ft / 6.5 m
	2	214 ft / 65 m	45225 lb / 20514 kg	24.6 ft / 7.5 m
	3	345 ft / 105 m	39865 lb / 18082 kg	27.9 ft / 8.5 m
	4	491 ft / 150 m	35641 lb / 16167 kg	31.2 ft / 9.5 m
	5	652 ft / 199 m	32227 lb / 14618 kg	34.5 ft / 10.5 m
	6	829 ft / 253 m	29409 lb / 13340 kg	37.8 ft / 11.5 m



Dimensions in mm / Dimensiones en mm

Unit Weight & Dimensions

A Total Height	1260 mm
Drum BD Barrel Diameter (58)	ø360 mm
D Depth	1100 mm
Drum FD Flange Diameter (57)	ø800 mm
W Width	2350 mm
Drum DL Length (56)	850 mm
Total Unit Weight	7717 lbs / 3502 Kg

Packaging Weight & Dimensions

Package 1 Net Weight	7717 lbs / 3501 Kg
Package 1 Width	86 in / 218.44 cm
Package 1 Length	39 in / 99.06 cm
Package 1 Height	62 in / 157.48 cm