



## 3500 lb Industrial Electric Winch Heavy Duty with Wire Rope 220/240V (1.75 Ton)

### Key features

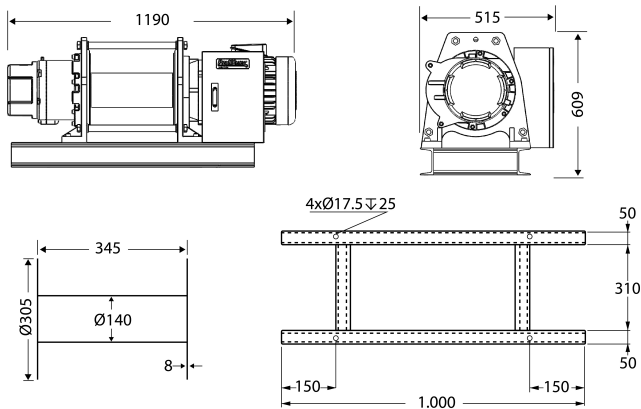
- Capacity: Handles up to 3,500 lbs (1.75 tons), suitable for industrial lifting and pulling tasks.
- Power Supply: Operates on 220/240V power, designed for standard electrical systems in industrial settings.
- Motor: Heavy-duty electric motor provides consistent and reliable performance for demanding applications.
- 3 Year Warranty, Customer Support and Service in the USA

### Winch Description

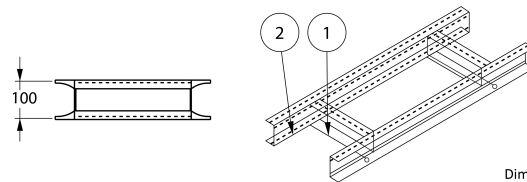
This heavy-duty industrial electric winch boasts a 3,500 lb (1.75 ton) pulling capacity and is powered by a 220/240V electric motor. Featuring durable wire rope, it is designed for robust performance in demanding environments. Ideal for a range of industrial and construction applications, this winch provides reliable and efficient lifting and pulling capabilities.

## Technical Specifications

<b>1st Layer Rated Capacity</b>	3800 lb / 1750 kg	<b>Control</b>	Wired remote control
<b>Speed (f/m) / min</b>	22~34 ft / 6~10 m	<b>Control Voltage</b>	24V
<b>Number of Speeds</b>	1 Speed - Optional Variable Speed	<b>Electric Control Box</b>	Included
<b>Voltage</b>	1 Phase 220~240V 50/60Hz	<b>Wire Rope</b>	ø7/16 in x 328 ft   ø11.1 mm x 100 m
<b>Motor Type (68)</b>	Electric AC	<b>Standards Compliance</b>	ASME/ANSI B30.7,10 / AWS D14.3 / RR-W-410E / ISO 2232
<b>IEC Motor Protection</b>	IP55	<b>Warranty</b>	3 Year
<b>IEC Electric Control Box Protection</b>	IP65	<b>Standard Lifting Height</b>	Up to 328 ft / 100 m



	Layer / Capa	Rope on drum / Mts x Capa	Lifting x layer / Cap x Capa	Speed / Velocidad (per min)
INCLUIDO/INCLUIDE	1	59 ft / 18 m	3850 lb / 1750 kg	22.1 ft / 6.7 m
	2	126 ft / 38 m	3380 lb / 1535 kg	25.2 ft / 7.7 m
	3	202 ft / 62 m	3001 lb / 1367 kg	28.3 ft / 8.6 m
	4	286 ft / 87 m	2710 lb / 1233 kg	31.4 ft / 9.6 m
	5	378 ft / 115 m	2470 lb / 1122 kg	34.5 ft / 10.5 m



Dimensions in mm / Dimensiones en mm

## Unit Weight & Dimensions

<b>A Total Height</b>	609 mm
<b>Drum BD Barrel Diameter (58)</b>	ø140 mm
<b>D Depth</b>	515 mm
<b>Drum FD Flange Diameter (57)</b>	ø305 mm
<b>W Width</b>	1190 mm
<b>Drum DL Length (56)</b>	345 mm
<b>Total Unit Weight</b>	533 lbs / 242 Kg

## Packaging Weight & Dimensions

<b>Package 1 Net Weight</b>	533 lbs / 242 Kg
<b>Package 1 Width</b>	22 in / 55.88 cm
<b>Package 1 Gross Weight</b>	599 lbs / 272 Kg
<b>Package 1 Height</b>	27 in / 68.58 cm
<b>Package 1 Length</b>	50 in / 127 cm