



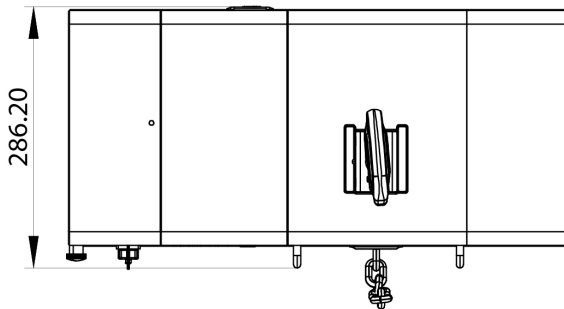
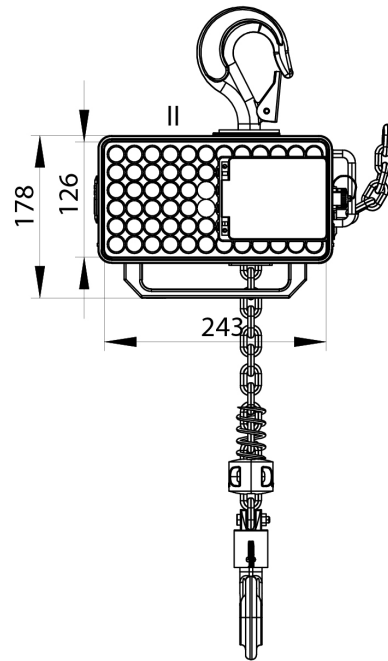
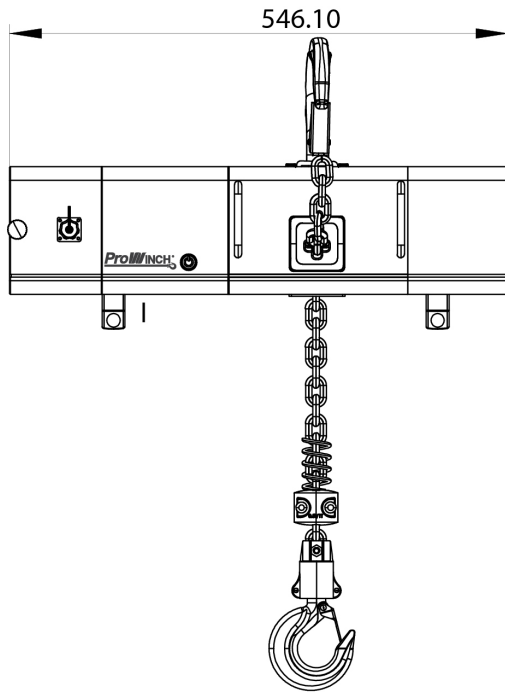
## 1 ton 2200 lb Battery Power Electric Chain Hoist, 60 ft. Lifting Height, Wifi Remote Control Multi-Link H3 Duty

### Key features

- Through App Multi-Link Control up to 125 Hoists
- 36V 180Wh 5000 mAh Battery, 168 Hours Standby Time, 33kg Net Weight
- Speed up to 11 ft per min. 5:1 Safety Factor, Braking Force 7.2:1
- Standard and Inverse (upside down) Installation, Regular and Stage Hoist
- 3 Year Warranty, Customer Support and Service in the USA

### Technical Specifications

<b>Rated Load Capacity</b>	2200 lb / 1000 kg	<b>Voltage</b>	Battery Power 36 VDC
<b>Standard Lifting Height</b>	60 ft / 18 m	<b>Duty Class</b>	H3/M4/1Am/Class C
<b>Speed (f/m) / min</b>	up to 11.88 ft / min	<b>Chain Falls</b>	1
<b>Number of Speeds</b>	1 Speed	<b>Chain Length</b>	66 ft
<b>Capacity Range</b>	2	<b>Warranty</b>	3 Year



## PWFXH-1T-BB-66

Measurements Unit: mm