



25000 lbs 12V Electric Waterproof Winch. Steel Wire Rope. Wireless and Wired Control

Key features

- 3 Year Warranty, Customer Support and Service in the USA

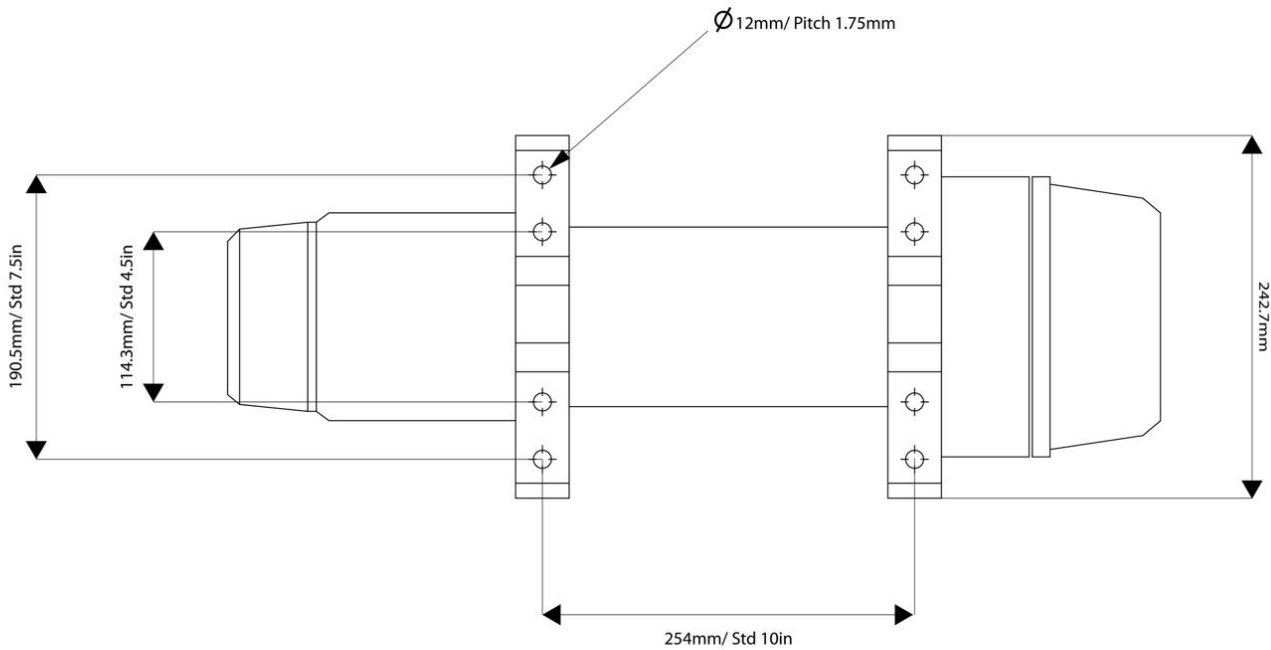
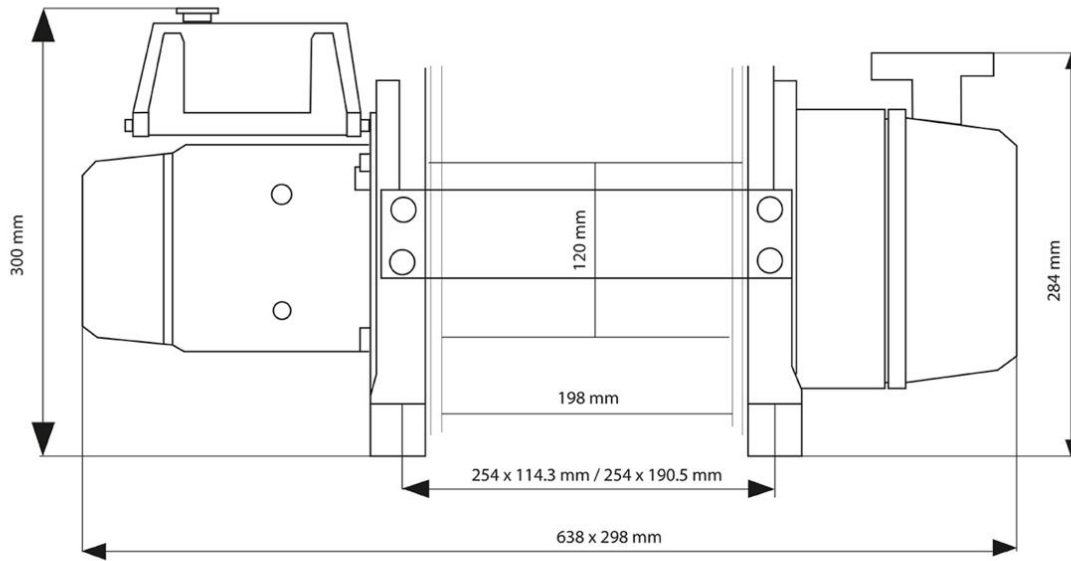


Electric Winch Description

This Prowinch **25,000 lbs 12V Electric Winch** offers an excellent combination of power and performance. The strong, durable, IP67 waterproof winch allows you to complete even the most difficult jobs with ease. The IP67 waterproof rating allows you to use the winch even in adverse conditions.

Technical Specifications

Rated Load Capacity	25,000 lbs	FCC ID	2ASYP-DW12K
1st Layer Rated Capacity	25,000 lbs	Duty Class	Recovery / Rescate
Last Layer Rated Capacity	15,443 lbs	Motor/Engine Power	7.4 HP
Number of Layers	4	Control	Wireless and Wired
Speed (f/m) / min	2.6 ft/per min	Wire Rope	ø 7/13 in. x 87 ft
Number of Speeds	1 Speed	Warranty	3 Year
Voltage	Battery Power 12 VDC		



Packaging Weight & Dimensions

Package 1 Gross Weight	150 lbs / 68 Kg
Package 1 Width	16 in / 40.64 cm
Package 1 Length	29 in / 73.66 cm
Package 1 Height	18 in / 45.72 cm