



Wire Rope Pulley 5 Ton 20mm rope

Key features

- Load Capacity: Supports up to 5 tons (10,000 lbs), ideal for heavy-duty lifting tasks.
- Compatible with 20 mm Rope: Designed specifically for use with 20 mm diameter wire ropes.
- Heavy-Duty Construction: Built from high-strength materials to withstand rigorous use and heavy loads.
- 3 Year Warranty, Customer Support and Service in the USA

Wire Rope Pulley 0.5 Ton 8mm rope Description

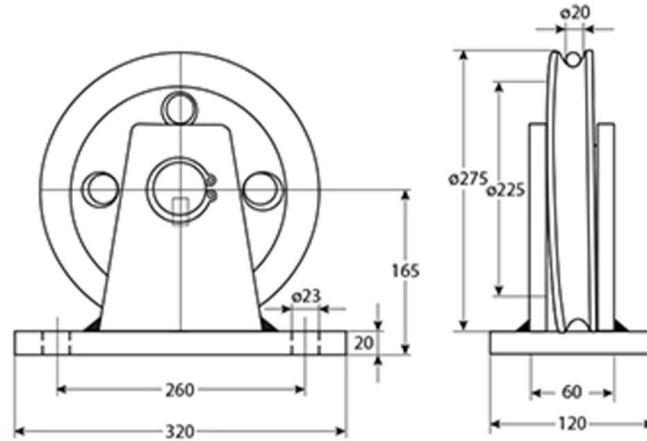
The Wire Rope Pulley 5 Ton (for 20 mm Rope) is engineered for heavy-duty lifting and rigging applications, making it an essential tool for industrial, construction, and marine environments. With a robust load capacity of 5 tons (10,000 lbs), this pulley is designed to accommodate 20 mm wire ropes, ensuring reliable performance under demanding conditions. Its durable construction and smooth operation minimize wear on the rope, enhancing safety and longevity.

Prowinch Snatch Blocks Pulleys

All of our **Snatch Blocks Pulleys** are created with the goal of offering the best quality and performance. Key components such as lifespan factors are constantly tested and improved in order to offer the best product for the price.

Technical Specifications

Rated Load Capacity	11000 lb / 5000 kg	Pulley Diameter	Ø10.8 in / Ø275 mm
Recommended wire rope	25/32 in / 20 mm	Warranty	3 Year



Dimensions in mm / Dimensiones en mm

Imágenes Referenciales

Unit Weight & Dimensions

Total Unit Weight	40 lbs / 19 Kg
--------------------------	----------------

Packaging Weight & Dimensions

Package 1 Net Weight	40 lbs / 18 Kg
Package 1 Width	13 in / 33.02 cm
Package 1 Gross Weight	40 lbs / 18 Kg
Package 1 Height	6 in / 15.24 cm
Package 1 Length	14 in / 35.56 cm