



Wire Rope Pulley 0.5 Ton 8mm rope

Key features

- Load Capacity: Supports up to 0.5 tons (1,000 lbs), perfect for light to medium-duty lifting applications.
- Compatible with 8 mm Rope: Specifically designed for use with 8 mm diameter wire ropes.
- Durable Construction: Made from high-strength materials to withstand regular use and provide reliable performance.
- 3 Year Warranty, Customer Support and Service in the USA

Wire Rope Pulley 0.5 Ton 8mm rope Description

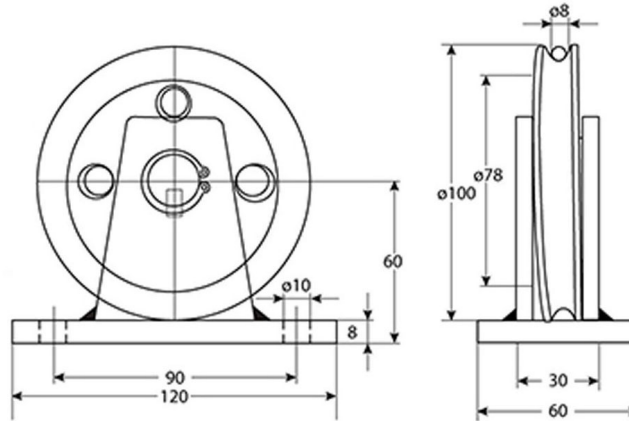
The Wire Rope Pulley 0.5 Ton (for 8 mm Rope) is a reliable and efficient solution for light to medium-duty lifting and rigging tasks. With a load capacity of 0.5 tons (1,000 lbs), this pulley is designed to accommodate 8 mm wire ropes, making it ideal for use in various applications, including construction, industrial, and marine environments. Its durable construction ensures smooth operation while minimizing wear on the rope, providing enhanced safety and longevity.

Prowinch Snatch Blocks Pulleys

All of our **Snatch Blocks Pulleys** are created with the goal of offering the best quality and performance. Key components such as lifespan factors are constantly tested and improved in order to offer the best product for the price.

Technical Specifications

Rated Load Capacity	1100 lb / 500 kg	Pulley Diameter	Ø3.93 in / Ø100 mm
Recommended wire rope	5/16 in / 8 mm	Warranty	3 Year



Dimensions in mm / Dimensiones en mm

Imágenes Referenciales

Unit Weight & Dimensions

Total Unit Weight	3.5 lbs / 2 Kg
--------------------------	----------------

Packaging Weight & Dimensions

Package 1 Net Weight	3.5 lbs / 2 Kg
Package 1 Width	5.5 in / 13.97 cm
Package 1 Gross Weight	3.5 lbs / 2 Kg
Package 1 Height	3 in / 7.62 cm
Package 1 Length	6 in / 15.24 cm