



Wire Rope Pulley 2 Ton 12mm rope

Key features

- Load Capacity: Supports up to 2 tons (4,000 lbs), suitable for heavy-duty lifting and material handling.
- Compatible with 12 mm Rope: Specifically designed for use with 12 mm diameter wire ropes.
- Durable Construction: Engineered from high-strength materials to withstand rigorous use and heavy loads.
- 3 Year Warranty, Customer Support and Service in the USA

Wire Rope Pulley 2 Ton 12mm rope Description

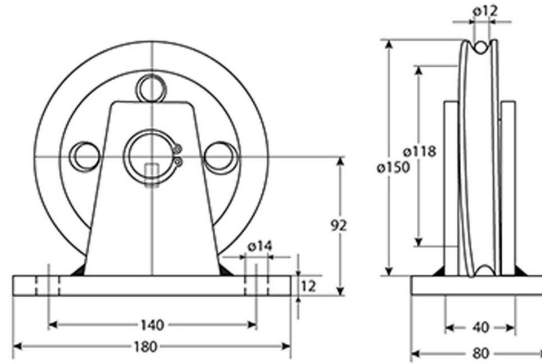
The Wire Rope Pulley 2 Ton (for 12 mm Rope) is a heavy-duty pulley designed for demanding lifting and rigging operations. With a 2-ton load capacity and compatibility with 12 mm wire ropes, this pulley ensures robust performance across industrial, construction, and marine applications. Built for strength and durability, its smooth operation reduces wear on the rope, enhancing safety and efficiency during use.

Prowinch Snatch Blocks Pulleys

All of our **Snatch Blocks Pulleys** are created with the goal of offering the best quality and performance. Key components such as lifespan factors are constantly tested and improved in order to offer the best product for the price.

Technical Specifications

Rated Load Capacity	4400 lb / 2000 kg	Pulley Diameter	Ø5.9 in / Ø150 mm
Wire Rope Construction	15/32 in / 12 mm	Warranty	3 Year



Dimensions in mm / Dimensiones en mm

Unit Weight & Dimensions

Total Unit Weight	10 lbs / 5 Kg
--------------------------	---------------

Packaging Weight & Dimensions

Package 1 Net Weight	10 lbs / 5 Kg
Package 1 Width	8 in / 20.32 cm
Package 1 Gross Weight	10 lbs / 5 Kg
Package 1 Height	4 in / 10.16 cm
Package 1 Length	8.5 in / 21.59 cm