



Wire Rope Pulley 1 Ton 10mm rope

Key features

- **Load Capacity:** Supports up to 1 ton (2,000 lbs) for reliable performance in lifting and rigging applications.
- **Compatible with 10 mm Rope:** Designed specifically for use with 10 mm diameter wire ropes.
- **Durable Construction:** Made from high-strength materials to withstand heavy loads and tough conditions.
- **3 Year Warranty, Customer Support and Service in the USA**

Wire Rope Pulley 1 Ton 10mm rope Description

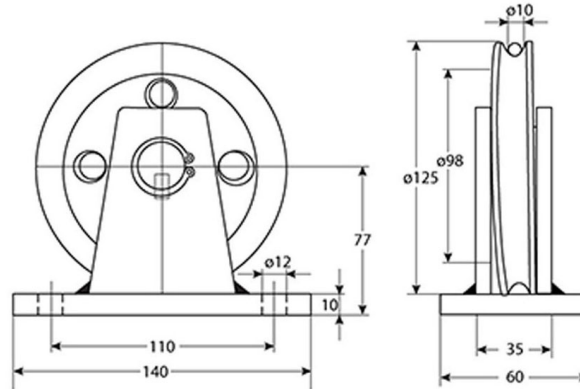
The Wire Rope Pulley 1 Ton (for 10 mm Rope) is a high-quality pulley designed for smooth and reliable operation in various lifting, rigging, and material handling tasks. Built to accommodate 10 mm wire ropes, this pulley is engineered for durability and strength, making it suitable for use in industrial, construction, and marine environments. Its robust construction ensures efficient load-bearing, while the smooth pulley action minimizes wear on the rope and extends its lifespan.

Prowinch Snatch Blocks Pulleys

All of our **Snatch Blocks Pulleys** are created with the goal of offering the best quality and performance. Key components such as lifespan factors are constantly tested and improved in order to offer the best product for the price.

Technical Specifications

Rated Load Capacity	2200 lb / 1000 kg	Pulley Diameter	Ø4.9 in / Ø125 mm
Recommended wire rope	25/64 in / 10 mm	Warranty	3 Year



Dimensions in mm / Dimensiones en mm

Imágenes Referenciales

Unit Weight & Dimensions

Total Unit Weight	5.1 lbs / 3 Kg
--------------------------	----------------

Packaging Weight & Dimensions

Package 1 Net Weight	5.1 lbs / 2 Kg
Package 1 Width	6 in / 15.24 cm
Package 1 Gross Weight	5.1 lbs / 2 Kg
Package 1 Height	3 in / 7.62 cm
Package 1 Length	7 in / 17.78 cm