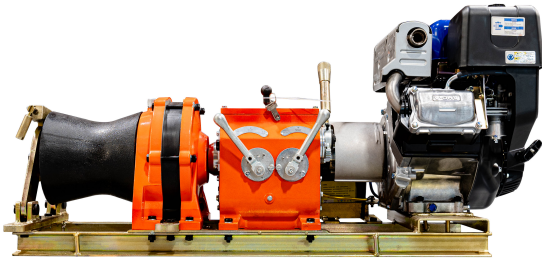


## 5 Ton Gas Capstan winch 10000 lbs with Electric Starter



### Key features

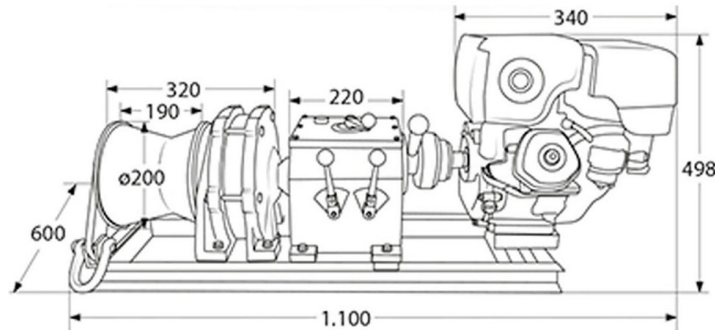
- Gas-Powered: Runs on gasoline, providing reliable power for heavy-duty winching applications.
- 5 Ton Capacity: Handles up to 5 tons (10,000 lbs), ideal for substantial pulling and lifting operations.
- Electric Starter: Equipped with an electric start system for quick and easy ignition, removing the need for manual cranking.
- 1 Year Warranty, Customer Support and Service in the USA

### Winch Description

This powerful 5-ton gas capstan winch delivers a pulling capacity of 10,000 lbs and is equipped with an electric starter for quick and easy ignition. Designed for heavy-duty lifting and pulling tasks, it is ideal for industrial and construction applications, offering reliable performance and efficient operation in demanding environments.

## Technical Specifications

<b>1st Layer Rated Capacity</b>	11023 lb / 5000 kg	<b>Total Power Watts</b>	6.6 kW
<b>Rated Load Capacity</b>	5 ton	<b>Motor Type (68)</b>	Gasoline Electric Start
<b>Number of Layers</b>	1	<b>Control</b>	Gearshift on the Capstan
<b>Speed (f/m) / min</b>	13-79 ft/min / 4 - 24 m/min	<b>Transmission / Reducer Type</b>	Direct Gearbox
<b>Number of Speeds</b>	4 Speed	<b>Warranty</b>	1 Year



Dimensions in mm / Dimensiones en mm

### Gear / Caja de cambio

Parameter / Parámetros	I		II	
	Fast / Rapido	Slow / Lento	Fast / Rapido	Slow / Lento
Capacity / Capacidad	2.5 t / 5511 lb	5t / 11023 lb	0.9 t / 1984 lb	1.5 t / 3306 lb
Speed (per/min) / Velocidad (por/min)	26 ft / 8 m	13 ft / 4 m	78.7 ft / 24 m	42.6 ft / 13 m

## Unit Weight & Dimensions

**Total Unit Weight** 304 lbs / 138 Kg

## Packaging Weight & Dimensions

**Package 1 Net Weight** 304 lbs / 138 Kg

**Package 1 Width** 51 in / 129.54 cm

**Package 1 Gross Weight** 257 lbs / 117 Kg

**Package 1 Height** 27 in / 68.58 cm

**Package 1 Length** 24 in / 60.96 cm