

## 12000 Hydraulic Winch with Gas Power Honda Power Pack 5HP Electric Start

### Key features

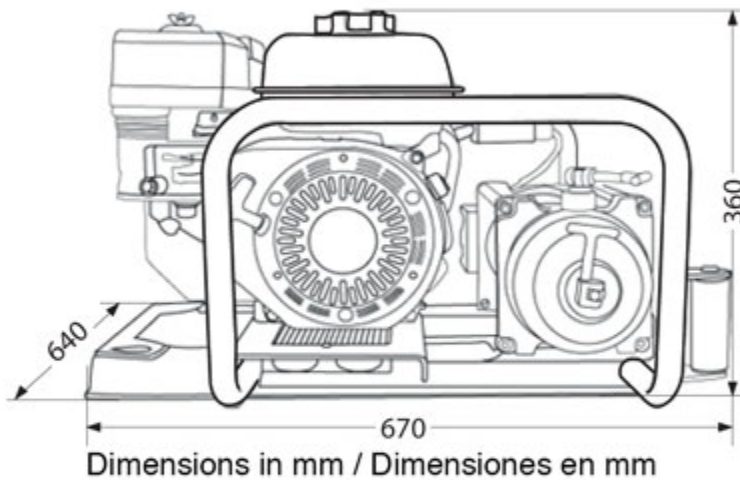
- **Hydraulic Operation:** Provides efficient and smooth winching using hydraulic power, ideal for heavy-duty tasks.
- **12,000 lbs Capacity:** Capable of handling loads up to 12,000 lbs, suitable for substantial pulling and lifting.
- **Gas-Powered:** Operates on gasoline, offering robust power without needing electrical sources.
- **1 Year Warranty, Customer Support and Service in the USA**

### Winch Description

This high-capacity hydraulic winch is rated for 12,000 lbs and is driven by a powerful 5HP Honda gas power pack with an electric start. Designed for robust lifting and pulling tasks, it offers reliable performance and convenience with its electric start feature. Ideal for industrial and construction environments, this winch provides efficient operation and dependable power for demanding applications.

## Technical Specifications

<b>1st Layer Rated Capacity</b>	12000 lb / 5443 kg	<b>Motor Type (68)</b>	5.5 HP Honda Gasoline with Electric Start
<b>Rated Load Capacity</b>	12000 lb	<b>Wire Rope</b>	ø3/8 in x 98 ft   ø9.5 mm x 30 m
<b>Speed (f/m) / min</b>	13-66 ft/min / 4-20 m/min	<b>Warranty</b>	1 Year
<b>Number of Speeds</b>	2 Speed		



Imágenes Referenciales  
Image Reference

## Unit Weight & Dimensions

<b>A Total Height</b>	16 in.
<b>W Width</b>	27 in.
<b>D Depth</b>	24 in.
<b>Total Unit Weight</b>	210 lbs / 96 Kg

## Packaging Weight & Dimensions

<b>Package 1 Net Weight</b>	210 lbs / 95 Kg
-----------------------------	-----------------