



Operator Safety Zone Control Cabin

Key features

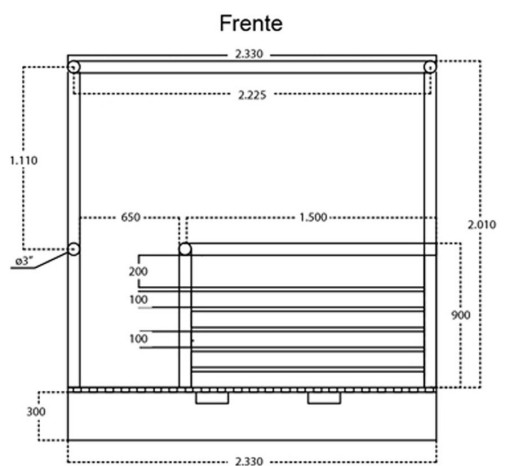
- Enhanced Safety: Provides a protective barrier against potential hazards, ensuring operator safety during operations.
- Ergonomic Design: Designed for comfort and accessibility, allowing operators to work efficiently for extended periods.
- Durable Construction: Built from high-quality materials to withstand harsh industrial conditions and ensure long-lasting performance.
- 3 Year Warranty, Customer Support and Service in the USA

Operator Safety Zone Control Cabin Description

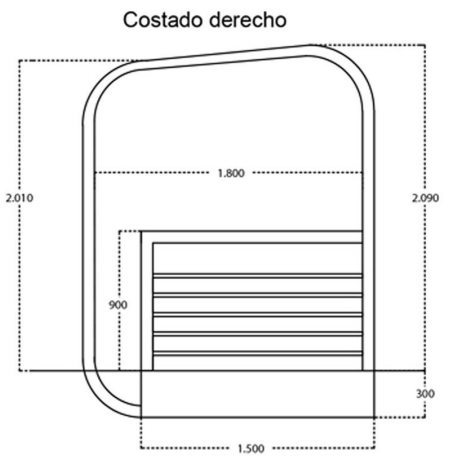
The Operator Safety Zone Control Cabin is designed to enhance safety and operational efficiency in industrial environments. This cabin provides a secure space for operators to control machinery while being protected from hazards and external elements.

Technical Specifications

Warranty 3 Year



PWCCT1
 Contol cab: safe area operator
 Cabina control: zona segura operador
 Warranty: 3 Year / Certification valid for 1 year / 10 year parts and service availability
 Garantía: 3 Años / Certificación válida por 1 año / 10 años disponibilidad de piezas y servicio



OPTIONAL:

Control Panel
 Pupitre de mando
 PWZR2



Controller
 Controlador
 VDF110KWRFP66



Controller
 Controlador
 Freno dinámico
 Dynamic Brake



Dimensions in mm /
 Dimensiones en mm