



1 Ton. Jib Crane 275 in Lift Height. Includes PWRC1

Key features

- Load Capacity: Supports up to 1 ton, suitable for heavy lifting tasks.
- Includes PWRC1: Features an advanced control system for easy and efficient operation.
- Durable Construction: Built with high-quality materials for exceptional stability and long-lasting performance.
- 3 Year Warranty, Customer Support and Service in the USA

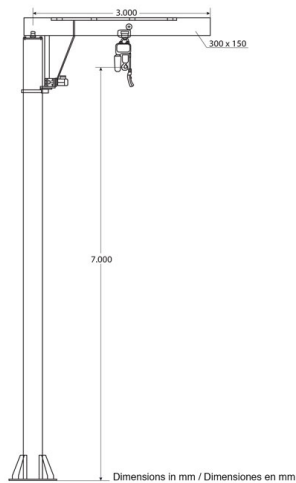
Jib Crane 275 in Lift Height Description

The 1 Ton Jib Crane is an exceptional lifting solution designed for high-capacity applications, featuring a remarkable lift height of 275 inches. Ideal for various industrial and workshop environments, this crane enhances productivity and efficiency in material handling. It includes the PWRC1, providing advanced control for smooth, precise operation.

Technical Specifications

Warranty	3 Year
----------	--------

BRAZO PESCANTE



Dimensions in mm / Dimensiones en mm

TECHNICAL PARAMETERS / PARÁMETROS TÉCNICOS

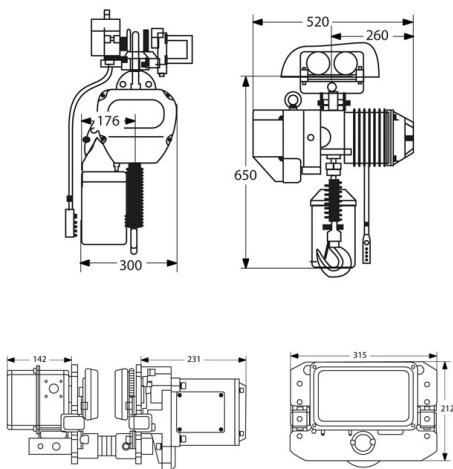
Code / Código PWBZ1TA7P3

Capacity:	2,204 lb
Capacidad:	1,000 kg
Lifting Height:	23 lb
Altura Izaje:	7 m
Valid Radius:	9.8 lb
Radio Válido:	3 m
Motor Rotation Power:	0.37 kW
Potencia Motor de Rotación:	
Mast ø:	325 mm
Diámetro del Mástil:	
Swelling Angle 360° motorised	
360° Rotación motorizado	
Two Speed	
Dos Velocidades	
Limit Switches	
Interruptores de limite	
Warranty:	
1 Year Included.	
2 Years Extended.	
10 Years Parts and Service Availability	
Garantía:	
1 Año Incluida.	
2 Años Extendida.	
10 Años Disponibilidad de Repuestos y Servicio.	

TECLE CADENA CON CARRO ELÉCTRICO



ELECTRIC TROLLEY / CARRO ELÉCTRICO



TECHNICAL PARAMETERS / PARÁMETROS TÉCNICOS

Code / Código PWRC1

Capacity:	2,205 lb
Capacidad:	1,000 kg
Lifting Speed:	21 ft/min
Velocidad de Izaje:	6.6 m/min
Motor Power:	1.5 kW
Potencia del motor:	
RPM Motor:	1,440
Insulation Grade:	F
Grado de Aislación:	
Power Supply:	220V/440V 60 HZ 3 Phases
Voltaje:	380V 50 HZ 3 fases
Voltage Control:	24V
Voltaje del Control:	
Chain Number:	1
N° de Cadenas:	
Spec. of a Chain:	ø5/16" x 22.9 ft
Diámetro Cadena:	ø7.1 mm x 7 m
Net Weight:	134 lb
Peso Neto:	61 kg
Standard:	ASME B30.17
Norma:	
Beam:	52 - 153 mm
Viga:	
Speed:	11 - 21 m/min
Velocidad:	
Motor:	0.4 kW
Minimum Radius of Turn:	0.8 m
Radio mínimo de giro:	
Japan Chain FEC:	Grade 80
Cadena Japonesa FEC:	Grado 80
Bearings:	SNK
Rodamientos:	
Warranty:	
1 Year Included.	
2 Years Extended.	
10 Years Parts and Service Availability	
Garantía:	
1 Año Incluida.	
2 Años Extendida.	
10 Años Disponibilidad de Repuestos y Servicio.	

