



5 Ton Heavy Duty Beam Clamp 3 in - 12.5 in Jaw Capacity

Key features

- Load Capacity: Supports up to 5 tons, ensuring safe lifting of heavy materials.
- Jaw Capacity: Adjustable jaws accommodate beams ranging from 3 inches to 12.5 inches, providing a secure and stable grip.
- Durable Construction: Crafted from high-strength steel for exceptional durability and long-lasting performance in tough environments.
- 3 Year Warranty, Customer Support and Service in the USA

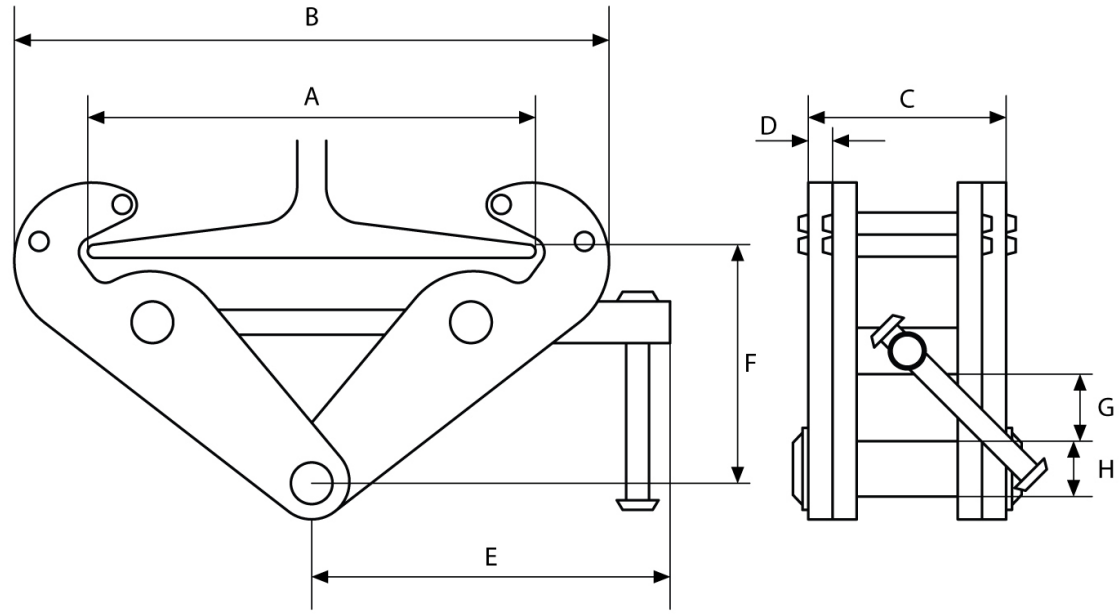
5 Ton Heavy Duty Beam Clamp Description

The 5 Ton Heavy Duty Beam Clamp is a robust and reliable lifting tool designed for secure hoisting in demanding industrial applications. With an adjustable jaw capacity of 3 inches to 12.5 inches, this clamp is ideal for accommodating various beam sizes, making it a versatile choice for heavy-duty tasks.

Technical Specifications

Rated Load Capacity	5 Ton / 11000 lbs. Test Load: 1.5 Rated Load	Warranty	3 Year
I-Beam Width Range	12.5		

Working Load	I-Beam Width	A Max.	B		C	D	E	F		G	H
			Min.	Max.				Min.	Max.		
2200	3 - 8.5	10.25	7	14	2.5	0.19	8.5	4	6.1	1	0.86
4400	3 - 8.5	10.25	7	14	3	0.23	8.5	4	6.1	1	0.86
6600	3 - 12.5	14	9.25	19.25	4	0.31	10.2	5.5	8.85	1.8	0.94
11000	3 - 12.5	14	9.25	19.25	4.3	0.4	10.2	5.5	8.85	1.8	1.1



Unit Weight & Dimensions

Total Unit Weight	15 lbs / 7 Kg
--------------------------	---------------

Packaging Weight & Dimensions

Package 1 Net Weight	15 lbs / 7 Kg
Package 1 Width	11 in / 27.94 cm
Package 1 Gross Weight	18 lbs / 8 Kg
Package 1 Height	6 in / 15.24 cm
Package 1 Length	22 in / 55.88 cm