



2 Ton Heavy Duty Beam Clamp 3 in - 10 in Jaw Capacity

Key features

- **Load Capacity:** Supports up to 2 tons, making it suitable for heavy lifting operations.
- **Durable Construction:** Made from high-quality, high-strength steel for enhanced durability and longevity.
- **Versatile Design:** Compatible with a wide range of beam sizes, ensuring a secure fit and reliable performance.
- **3 Year Warranty, Customer Support and Service in the USA**

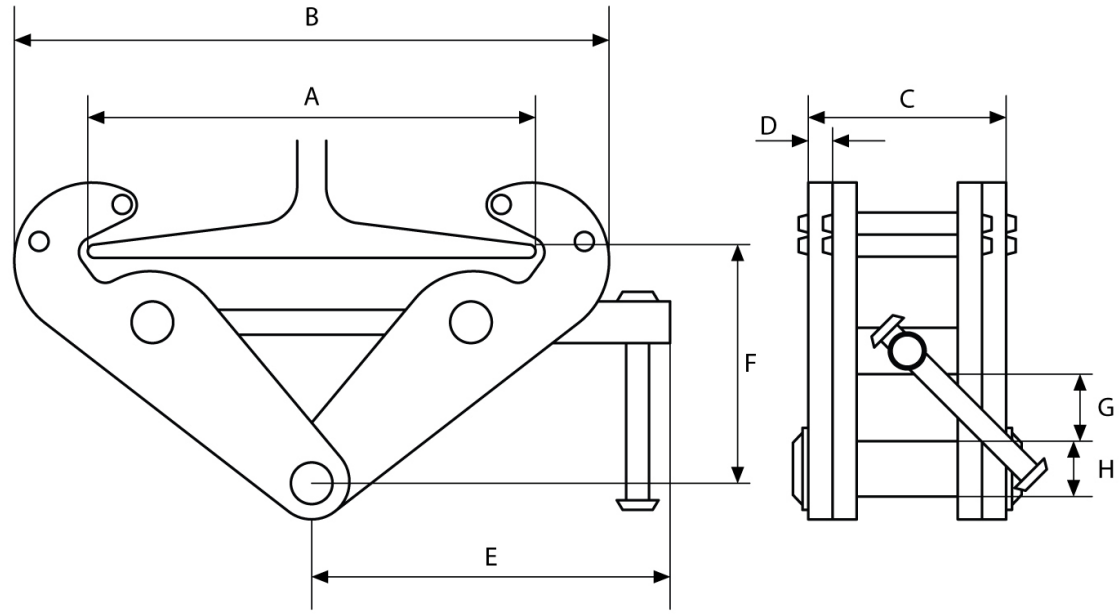
2 Ton Heavy Duty Beam Clamp Description

The 2 Ton Heavy Duty Beam Clamp is a robust and essential tool for secure lifting and hoisting in various industrial applications. Designed to provide a strong and stable grip on beams, this clamp is ideal for construction, rigging, and maintenance tasks.

Technical Specifications

Rated Load Capacity	2 Ton / 4400 lbs. Test Load: 1.5 Rated Load	Warranty	3 Year
I-Beam Width Range	10 in		

Working Load	I-Beam Width	A Max.	B		C	D	E	F		G	H
			Min.	Max.				Min.	Max.		
2200	3 - 8.5	10.25	7	14	2.5	0.19	8.5	4	6.1	1	0.86
4400	3 - 8.5	10.25	7	14	3	0.23	8.5	4	6.1	1	0.86
6600	3 - 12.5	14	9.25	19.25	4	0.31	10.2	5.5	8.85	1.8	0.94
11000	3 - 12.5	14	9.25	19.25	4.3	0.4	10.2	5.5	8.85	1.8	1.1



Unit Weight & Dimensions

Total Unit Weight	15 lbs / 7 Kg
--------------------------	---------------

Packaging Weight & Dimensions

Package 1 Net Weight	15 lbs / 7 Kg
Package 1 Width	8 in / 20.32 cm
Package 1 Gross Weight	18 lbs / 8 Kg
Package 1 Height	6 in / 15.24 cm
Package 1 Length	19 in / 48.26 cm