



1 Ton Heavy Duty Beam Clamp 3 in - 10 in Jaw Capacity

Key features

- Load Capacity: Supports up to 1 ton, suitable for lifting heavy materials safely and efficiently.
- Jaw Capacity: Adjustable jaws accommodate beam sizes from 3 inches to 10 inches, ensuring a secure grip on various beams.
- Durable Construction: Made from high-strength steel for durability and long-lasting performance in demanding environments.
- 3 Year Warranty, Customer Support and Service in the USA

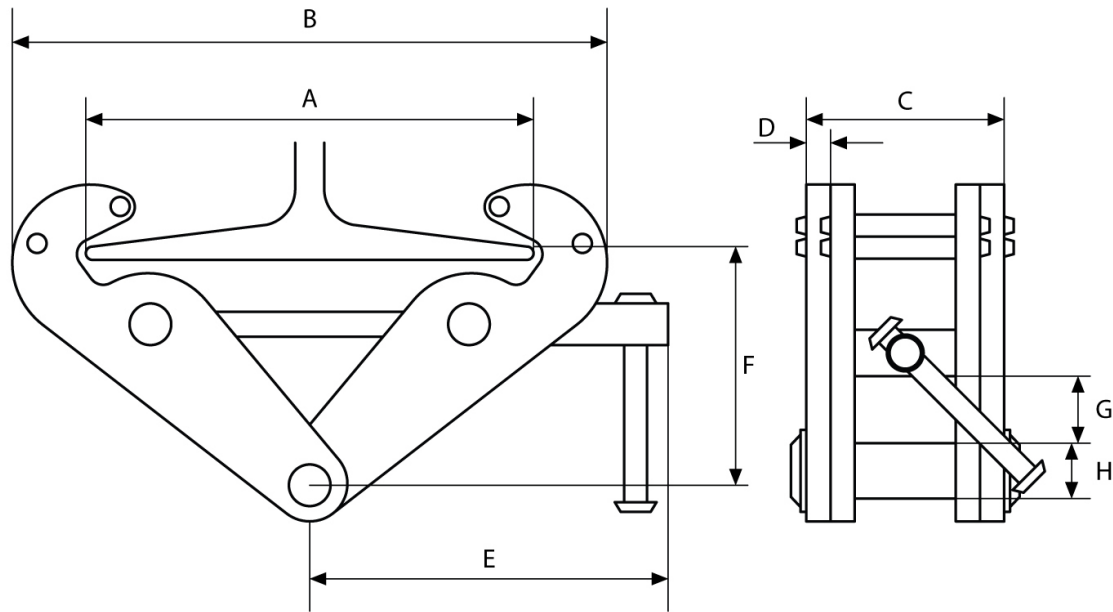
1 Ton Heavy Duty Beam Clamp Description

The 1 Ton Heavy Duty Beam Clamp is an essential tool for securely hoisting and lifting materials in various industrial applications. With a jaw capacity ranging from 3 inches to 10 inches, this beam clamp is designed to fit a variety of beam sizes, providing versatility and reliability for heavy-duty tasks.

Technical Specifications

Rated Load Capacity	1 Ton / 2200 lbs. Test Load: 1.5 Rated Load	Warranty	3 Year
I-Beam Width Range	10 in		

Working Load	I-Beam Width	A Max.	B		C	D	E	F		G	H
			Min.	Max.				Min.	Max.		
2200	3 - 8.5	10.25	7	14	2.5	0.19	8.5	4	6.1	1	0.86
4400	3 - 8.5	10.25	7	14	3	0.23	8.5	4	6.1	1	0.86
6600	3 - 12.5	14	9.25	19.25	4	0.31	10.2	5.5	8.85	1.8	0.94
11000	3 - 12.5	14	9.25	19.25	4.3	0.4	10.2	5.5	8.85	1.8	1.1



Unit Weight & Dimensions

Total Unit Weight	15 lbs / 7 Kg
--------------------------	---------------

Packaging Weight & Dimensions

Package 1 Net Weight	15 lbs / 7 Kg
Package 1 Width	7 in / 17.78 cm
Package 1 Gross Weight	18 lbs / 8 Kg
Package 1 Height	5 in / 12.7 cm
Package 1 Length	18 in / 45.72 cm