



## Patient Lifter 400 lb Battery Powered with Charger and Harness (White)

### Key features

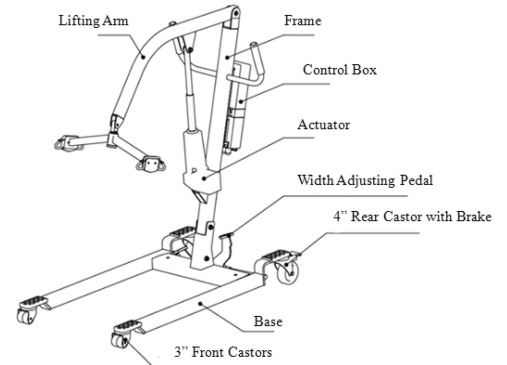
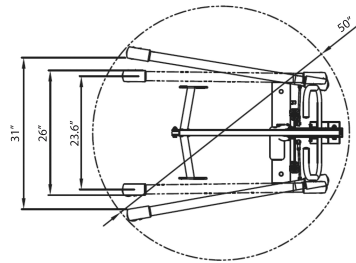
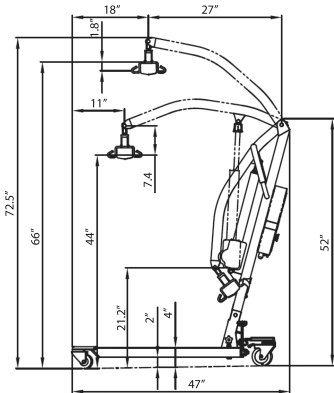
- **FREE HARNESS:** Four-point spreader bar for the safest, most comfortable experience. Easily transfer from bed to wheelchair, even from the floor. Full harness size can accommodate all size patients. Made of Polyester that can be used in wet or dry environments
- **INSTALL:** Maximum space for the user, this lift is designed to ensure that folding and unfolding can be carried out easily and without the need for additional tools. Can be easily foldable for transport
- **CAPACITY:** Max load capacity of 400lbs. The height range allows lifting from floor or high surfaces. Padded swivel bar with 360-degree rotation for added convenience. High-quality lifter that features a battery-powered operation. The crane was designed to ensure safe user handling
- **ELECTRONIC SYSTEM:** Convenient push-button hand controls for easy maneuverability, rear pedal adjustable legs can be operated by foot. Unit has built-in manual emergency lowering device and an anti-entrapment feature if boom meets any resistance while lowering
- 3 Year Warranty, Customer Support and Service in the USA

### Patient Lifter Description

The PW-PL400 is a compact mobile floor lift that is multi-purpose and convenient to use, with a lightweight design that allows it to navigate small spaces and access difficult to reach areas with ease. For added convenience, the PW-PL400 is foldable to allow easy transport and storage, staying out of the way and going where you need it with ease. The adjustable base easily accommodates patients and wheelchairs with easy-to-use controls.

## Technical Specifications

<b>Personnel Lifting Capacity</b>	400 lbs	<b>Air Hoist Lowering Speed at Rated Load</b>	3in/min
<b>Air Hoist Lifting Speed at Rated Load</b>	3in/min	<b>Emergency Stop</b>	Yes
<b>Voltage</b>	Battery Power 24 VDC	<b>Warranty</b>	3 Year



## Unit Weight & Dimensions

<b>Total Unit Weight</b>	108 lbs / 50 Kg
--------------------------	-----------------

## Packaging Weight & Dimensions

<b>Package 1 Net Weight</b>	108 lbs / 49 Kg
<b>Package 1 Width</b>	53 in / 134.62 cm
<b>Package 1 Gross Weight</b>	103 lbs / 47 Kg
<b>Package 1 Height</b>	14 in / 35.56 cm
<b>Package 1 Length</b>	28 in / 71.12 cm